

Standard AC Motors

Constant Speed Motors

# Single-Phase Induction Motors

## Single-Phase Induction Motors

Overview, Product Series

Constant Speed Motors

Three-Phase Induction Motors

Single-Phase Induction Motors

Reversible Motors

Electromagnetic Brake Motors

Clutch & Brake Motors

Low-Speed Synchronous Motors

Torque Motors

Watertight, Dust-Resistant Motors

Right-Angle Gearheads

Linear Heads

Brake Pack

Accessories

Installation

Page

Features and Types of Single-Phase Induction Motors...	C-114
General Specifications .....	C-119
<b>KII</b> Series [6 W~90 W (1/125 HP~1/8 HP)].....	C-120
<b>BH</b> Series [200 W (1/4 HP)] .....	C-134
2-Pole, High-Speed Type [40 W~150 W (1/19 HP~1/5 HP)] ...	C-142

# Features and Types of Single-Phase Induction Motors

6 W  
(1/125 HP)

15 W  
(1/50 HP)

25 W  
(1/30 HP)

40 W  
(1/19 HP)

60 W  
(1/12 HP)

90 W  
(1/8 HP)

BH Series  
200 W  
(1/4 HP)

2-Pole  
High-Speed  
40-150 W  
(1/19-1/5 HP)

## Features of Single-Phase Induction Motors

### ● Optimal for Uni-Directional and Continuous Operation

Induction motors are optimal for uni-directional and continuous operation such as a conveyor system.

### ● Easy Operation

All you need is to connect a capacitor and plug the motor into an AC power supply and the motor can be easily operated.







### ● Extensive Product Line

The **KII** Series, World **K** Series and **BH** Series are available. We have products with an output power range of 6 W (1/125 HP) to 200 W (1/4 HP), so you can find a motor that meets your specific application.

### ● Compatible with Various Gearheads

Combination with a gearhead allows the motor speed to be reduced to the required speed or generate higher torque.

## Types of Single-Phase Induction Motors

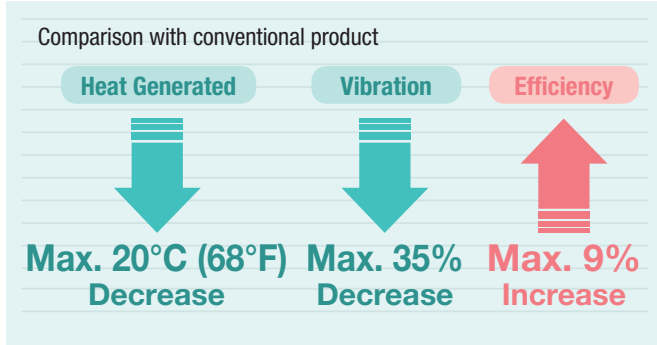
Series	Features, Product Line									
<b>KII Series</b>  	<ul style="list-style-type: none"> <li>● <b>New Global Standard</b> With a high performance gearhead built in, it is the new global standard for standard AC motors. Features of the <b>KII</b> Series → Page C-115</li> <li>● <b>Conforms to Standards</b></li> </ul>	<ul style="list-style-type: none"> <li>● <b>Product Line</b></li> </ul> <table border="1"> <tr> <td>Frame Size</td> <td>□60 mm (□2.36 in.)~□90 mm (□3.54 in.)</td> </tr> <tr> <td>Output Power</td> <td>Terminal Box Type: 25 W~90 W (1/30 HP~1/8 HP) Lead Wire Type: 6 W~90 W (1/125 HP~1/8 HP)</td> </tr> <tr> <td>Type</td> <td>Terminal Box Type: Parallel shaft Lead Wire Type: Parallel shaft</td> </tr> <tr> <td>Voltage</td> <td>Single-Phase 110/115 VAC, Single-Phase 220/230 VAC</td> </tr> </table>	Frame Size	□60 mm (□2.36 in.)~□90 mm (□3.54 in.)	Output Power	Terminal Box Type: 25 W~90 W (1/30 HP~1/8 HP) Lead Wire Type: 6 W~90 W (1/125 HP~1/8 HP)	Type	Terminal Box Type: Parallel shaft Lead Wire Type: Parallel shaft	Voltage	Single-Phase 110/115 VAC, Single-Phase 220/230 VAC
Frame Size	□60 mm (□2.36 in.)~□90 mm (□3.54 in.)									
Output Power	Terminal Box Type: 25 W~90 W (1/30 HP~1/8 HP) Lead Wire Type: 6 W~90 W (1/125 HP~1/8 HP)									
Type	Terminal Box Type: Parallel shaft Lead Wire Type: Parallel shaft									
Voltage	Single-Phase 110/115 VAC, Single-Phase 220/230 VAC									
<b>World K Series</b> 2-Pole, High-Speed Type  	<ul style="list-style-type: none"> <li>● <b>Conforms to Standards</b> All World <b>K</b> Series products have an overheat protection device built-in and conform to major safety standards.</li> <li>● <b>Applicable Standards</b> UL/CSA Standards Certified under the China Compulsory Certification System (CCC System) CE Marking (Low Voltage Directive)</li> <li>● <b>Motor Overheat Protection Device</b> Thermal Protector</li> </ul>	<ul style="list-style-type: none"> <li>● <b>Product Line</b></li> </ul> <table border="1"> <tr> <td>Frame Size</td> <td>□80 mm (□3.15 in.), □90 mm (□3.54 in.)</td> </tr> <tr> <td>Output Power</td> <td>2-Pole, High-Speed Type: 40 W~150 W (1/19 HP~1/5 HP)</td> </tr> <tr> <td>Voltage</td> <td>Single-Phase 110/115 VAC Single-Phase 220/230 VAC</td> </tr> </table>	Frame Size	□80 mm (□3.15 in.), □90 mm (□3.54 in.)	Output Power	2-Pole, High-Speed Type: 40 W~150 W (1/19 HP~1/5 HP)	Voltage	Single-Phase 110/115 VAC Single-Phase 220/230 VAC		
Frame Size	□80 mm (□3.15 in.), □90 mm (□3.54 in.)									
Output Power	2-Pole, High-Speed Type: 40 W~150 W (1/19 HP~1/5 HP)									
Voltage	Single-Phase 110/115 VAC Single-Phase 220/230 VAC									
<b>BH Series</b>  	<ul style="list-style-type: none"> <li>● <b>Smallest Frame Size among 200 W (1/4 HP) Motors</b> These motors achieve a high output of 200 W (1/4 HP) with a frame size of 104 mm (4.09 in.).</li> <li>● <b>Hypoid Gear Right Angle Type is Available.</b></li> <li>● <b>"Combination Type" for Easy Installation</b> With each combination type, the motor and gearhead come pre-assembled for easy installation into your equipment.</li> <li>● <b>Conforms to Standards and Global Voltage Specifications</b></li> </ul>	<ul style="list-style-type: none"> <li>● <b>Tapped Hole at the Shaft End</b> The gearhead shaft features a tapped hole for convenient connection with loads.</li> <li>● <b>Product Line</b></li> </ul> <table border="1"> <tr> <td>Frame Size</td> <td>□104 mm (□4.09 in.)</td> </tr> <tr> <td>Output Power</td> <td>200 W (1/4 HP)</td> </tr> <tr> <td>Type</td> <td>Terminal Box Type: Right-Angle, Hollow Shaft Type, Right-Angle, Solid Shaft Type, Parallel Shaft Type, Round Shaft Type Cable Type: Right-Angle, Hollow Shaft Type, Right-Angle, Solid Shaft Type, Parallel Shaft Type, Round Shaft Type</td> </tr> <tr> <td>Voltage</td> <td>Single-Phase 110/115 VAC Single-Phase 220/230 VAC</td> </tr> </table>	Frame Size	□104 mm (□4.09 in.)	Output Power	200 W (1/4 HP)	Type	Terminal Box Type: Right-Angle, Hollow Shaft Type, Right-Angle, Solid Shaft Type, Parallel Shaft Type, Round Shaft Type Cable Type: Right-Angle, Hollow Shaft Type, Right-Angle, Solid Shaft Type, Parallel Shaft Type, Round Shaft Type	Voltage	Single-Phase 110/115 VAC Single-Phase 220/230 VAC
Frame Size	□104 mm (□4.09 in.)									
Output Power	200 W (1/4 HP)									
Type	Terminal Box Type: Right-Angle, Hollow Shaft Type, Right-Angle, Solid Shaft Type, Parallel Shaft Type, Round Shaft Type Cable Type: Right-Angle, Hollow Shaft Type, Right-Angle, Solid Shaft Type, Parallel Shaft Type, Round Shaft Type									
Voltage	Single-Phase 110/115 VAC Single-Phase 220/230 VAC									

## KII Series Features

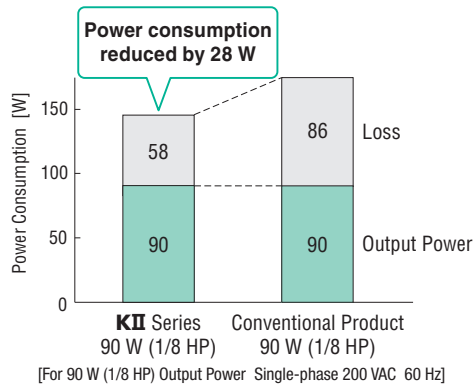
### Excellent Motor Performance

The magnetic balance for each input voltage has been re-examined and the motors have been specially designed to optimize their characteristics.

Designing specifically for each voltage not only improves efficiency, but also contributes to equipment reliability by reducing heat and vibration generated by the motor.

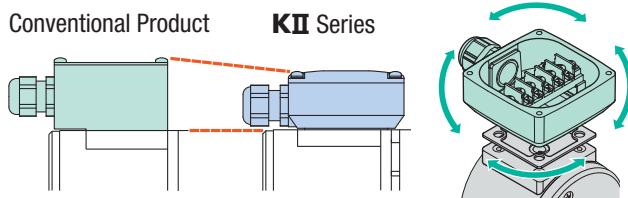


### Energy Savings



### Built-In Slim Body Terminal Box (Terminal box type)

A new shape of terminal box was designed to make wiring the terminal block easier. It is slimmer than conventional products, and the cable outlet can be rotated in 90° increments for 4 possible directions.



### IP66 Compliant Drip-proof Specification

The seal structure for the motor, gearhead and terminal box components has been strengthened. The terminal box type is compliant with the IP66 degree of protection.

IP66:

The IP indication that shows the watertight and dust-resistant performance are specified under IEC 60529 and IEC 60034-5.

#### Main Specifications

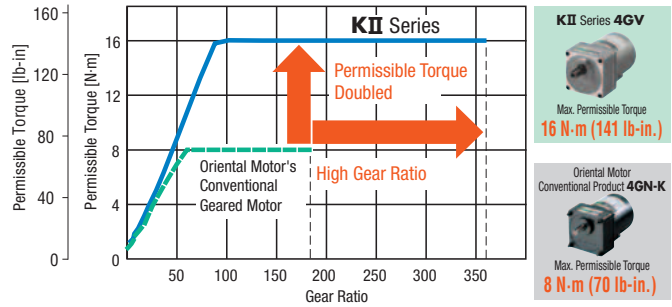
- Material
  - Case and terminal box: Aluminum
  - Output shaft: S45C
  - Screws: Stainless steel (externally facing screws only)
- Surface Treatment
  - Case and terminal box: Painted (excluding installation surface)

### Equipped with a High-Performance Gearhead

#### High Permissible Torque

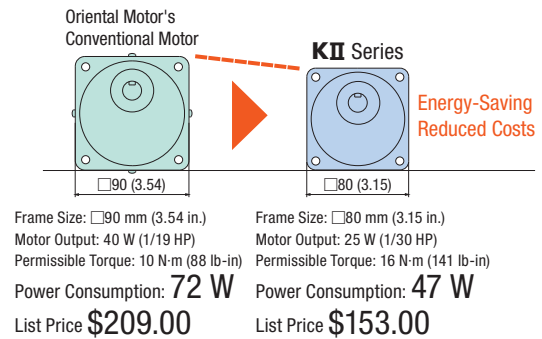
The permissible torque is up to twice that of conventional products.

● 25 W (1/30 HP) Gearhead Output Torque (Permissible)



#### Downsizing is Possible with the Same Output Torque

Downsizing is possible by changing our company's conventional products with the KII Series. If a smaller size motor can be selected, not only the power consumption but also the purchase cost can be reduced.



### High Strength

The permissible radial load and the permissible axial load are up to twice that of conventional products.

Oriental Motor Conventional Product 4GN-K



KII Series 4GV



### Long-Life

At 10,000 hours, the rated life is twice that of a conventional product.

### Noise Reduction

The contact noise of the motor and gearhead is approximately 6 dB less compared to a conventional product.

Overview, Product Series

Constant Speed Induction Motors

Three-Phase Induction Motors

Single-Phase Induction Motors

Reversible Motors

Electromagnetic Brake Motors

Clutch & Brake Motors

Low-Speed Synchronous Motors

Torque Motors

Watertight, Dust-Resistant Motors

Right-Angle Gearheads

Linear Heads

Brake Pack

Accessories

Installation

Product Line of Induction Motors

Series	Voltage (VAC)	Type	Motor Frame Size, Output Power											
			□60 mm (□2.36 in.)	□70 mm (□2.76 in.)	□80 mm (□3.15 in.)			□90 mm (□3.54 in.)			□104 mm (□4.09 in.)			
			6 W (1/125 HP)	15 W (1/50 HP)	25 W (1/30 HP)	40 W (1/19 HP)	60 W (1/12 HP)	40 W (1/19 HP)	60 W (1/12 HP)	90 W (1/8 HP)	150 W (1/5 HP)	200 W (1/4 HP)		
<b>KII</b> Series	Single-Phase 110/115	Terminal Box			●				●	●	●			
		Lead Wire	●	●	●				●	●	●			
	Single-Phase 220/230	Terminal Box			●				●	●	●			
		Lead Wire	●	●	●				●	●	●			
World <b>K</b> Series 2-Pole, High-Speed Type	Single-Phase 110/115	Lead Wire				●	●			●	●	●		
	Single-Phase 220/230	Lead Wire				●	●			●	●	●		
<b>BH</b> Series	Single-Phase 110/115	Terminal Box											●	
		Cable											●	
	Single-Phase 220/230	Terminal Box												●
		Cable												●

6 W  
(1/125 HP)

15 W  
(1/50 HP)

25 W  
(1/30 HP)

40 W  
(1/19 HP)

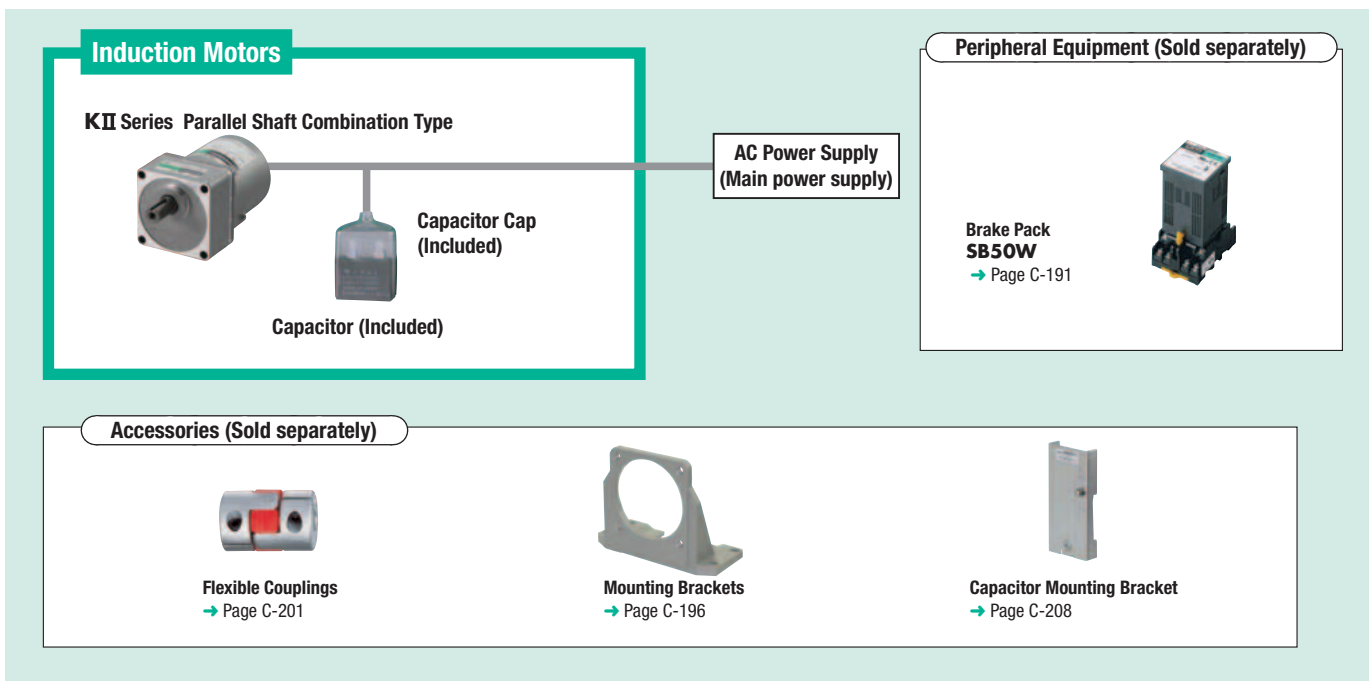
60 W  
(1/12 HP)

90 W  
(1/8 HP)

**BH** Series  
200 W  
(1/4 HP)

2-Pole  
High-Speed  
40-150 W  
(1/19-1/5 HP)

## System Configuration



### ● Example of System Configuration

Induction Motors Parallel Shaft Combination Type	Sold Separately	
	Mounting Bracket	Flexible Couplings
<b>4IK25UA-25A</b>	<b>SOL4UAF</b>	<b>MCL40F10F10</b>
\$146.00	\$27.00	\$76.00

● The system configuration shown above is an example. Other combinations are also available.

Overview,  
Product  
Series

Constant  
Speed  
Motors

Three-Phase  
Induction  
Motors

Single-Phase  
Induction  
Motors

Reversible  
Motors

Electromagnetic  
Brake Motors

Clutch &  
Brake Motors

Low-Speed  
Synchronous  
Motors

Torque  
Motors

Watertight,  
Dust-Resistant  
Motors

Right-Angle  
Gearheads

Linear  
Heads

Brake Pack

Accessories

Installation

Product Number

● KII Series

**4 I K 25 UA T2 - 12.5 A**

① ② ③ ④ ⑤ ⑥ ⑦ ⑧

6 W  
(1/125 HP)

15 W  
(1/50 HP)

25 W  
(1/30 HP)

40 W  
(1/19 HP)

60 W  
(1/12 HP)

90 W  
(1/8 HP)

BH Series  
200 W  
(1/4 HP)

2-Pole  
High-Speed  
40-150 W  
(1/19-1/5 HP)

①	Motor Frame Size	<b>2:</b> 60 mm (2.36 in.) <b>3:</b> 70 mm (2.76 in.) <b>4:</b> 80 mm (3.15 in.) <b>5:</b> 90 mm (3.54 in.)
②	Motor Type	<b>I:</b> Induction Motor
③	Series	<b>K:</b> KII Series
④	Output Power (W)	(Example) <b>25:</b> 25 W (1/30 HP)
⑤	Power Supply Voltage	<b>UA:</b> Single-Phase 110/115 VAC <b>UC:</b> Single-Phase 220/230 VAC
⑥	<b>T2:</b> Terminal Box Type	Blank: Lead Wire Type
⑦	Gear Ratio	Number: Gear Ratio of Combination Type
⑧	<b>A:</b> Imperial	

● Metric output shafts are available. See website for product names and drawings.

● World K Series 2-Pole/High-Speed Type

**5 I K 60 A - BW 2 U**

① ② ③ ④ ⑤ ⑥ ⑦ ⑧

①	Motor Frame Size	<b>4:</b> 80 mm (3.15 in.) <b>5:</b> 90 mm (3.54 in.)
②	Motor Type	<b>I:</b> Induction Motor
③	Series	<b>K:</b> K Series
④	Output Power (W)	(Example) <b>60:</b> 60 W (1/12 HP)
⑤	Motor Shaft Type	<b>A:</b> Round Shaft
⑥	Power Supply Voltage/ Number of Poles	<b>BW:</b> Single-Phase 110/115 VAC 2-Pole <b>DW:</b> Single-Phase 220/230 VAC 2-Pole
⑦	<b>2, 3:</b> RoHS-Compliant	
⑧	Included Capacitor	<b>U:</b> For Single-Phase 110/115 VAC <b>E:</b> For Single-Phase 220/230 VAC

● The **U** and **E** at the end of the product name indicate that the unit includes a capacitor. These letters are not listed on the motor nameplate.

When the motor is approved under various standards, the product name on the nameplate is the approved product name.

(Example) Model: **SIK60A-BW2U** → Motor nameplate and product approved under various standards: **SIK60A-BW2**

● BH Series

**BH I 6 2 F T - 100 RH**

① ② ③ ④ ⑤ ⑥ ⑦ ⑧

①	Series	<b>BH:</b> BH Series
②	Motor Type	<b>I:</b> Induction Motor
③	Motor Frame Size	<b>6:</b> 104 mm (4.09 in.)
④	Output Power (W)	(Example) <b>2:</b> 200 W (1/4 HP)
⑤	Power Supply Voltage	<b>F:</b> Single-Phase 110/115 VAC <b>E:</b> Single-Phase 220/230 VAC
⑥	<b>T:</b> Terminal Box Type	Blank: Cable Type
⑦	Gear Ratio, Motor Shaft Type	<b>A:</b> Round Shaft Type    Number: Gear Ratio of Combination Type
⑧	Type of Gearhead (Combination type only)	<b>RH:</b> Right-Angle, Hollow Shaft Type <b>RA:</b> Right-Angle, Solid Shaft Type    Blank: Parallel Shaft Type

## General Specifications

### ● KII Series

Item	Specifications
Insulation Resistance	100 MΩ or more when 500 VDC megger is applied between the windings and the case after rated operation under normal ambient temperature and humidity.
Dielectric Strength	Sufficient to withstand 1.5 kVAC at 60 Hz applied between the windings and the case for 1 minute after rated operation under normal ambient temperature and humidity.
Temperature Rise	Temperature rise of windings are 80°C (144°F) or less measured by the resistance change method after rated operation under normal ambient temperature and humidity.
Thermal Class	130 (B)
Overheat Protection	6 W (1/125 HP) type has impedance protection. Other Types Built-In thermal protector (automatic return type) Open: 130±5°C (266±9°F), Close: 85±20°C (185±36°F)
Ambient Temperature	-10~+40°C (+14~+104°F) (non-freezing)
Ambient Humidity	85% or less (non-condensing)
Degree of Protection	Terminal Box Type: 25 W (1/30 HP), 40 W (1/19 HP) IP66* (excluding the installation surface of the round shaft type) : 60 W (1/12 HP), 90 W (1/8 HP) IP54 (excluding the installation surface of the round shaft type) Lead Wire Type: IP20

\*Refer to page C-115 for the materials and surface treatments.

### ● World K Series 2-Pole/High-Speed Type

Item	Specifications
Insulation Resistance	100 MΩ or more when 500 VDC megger is applied between the windings and the case after rated operation under normal ambient temperature and humidity.
Dielectric Strength	Sufficient to withstand 1.5 kVAC at 50 Hz or 60 Hz applied between the windings and the case for 1 minute after rated operation under normal ambient temperature and humidity.
Temperature Rise	Temperature rise of windings are 80°C (144°F) or less measured by the resistance change method after rated operation under normal ambient temperature and humidity with connecting a gearhead or equivalent heat radiation plate*.
Thermal Class	130 (B)
Overheat Protection	Built-In thermal protector (automatic return type) Open: 130±5°C (266±9°F), Close: 82±15°C (179.6±27°F)
Ambient Temperature	-10~+40°C (+14~+104°F) (non-freezing)
Ambient Humidity	85% or less (non-condensing)
Degree of Protection	IP20

\* Heat radiation plate (Material: Aluminum)

Motor Type	Size: mm (in.)	Thickness: mm (in.)
2-Pole, High-Speed <b>4IK40</b> Type, <b>4IK60</b> Type	135×135 (5.31×5.31)	5 (0.20)
2-Pole, High-Speed <b>5IK60</b> Type	165×165 (6.50×6.50)	
2-Pole/High-Speed <b>5IK90</b> Type, <b>5IK150</b> Type	200×200 (7.87×7.87)	

### ● BH Series

Item	Specifications
Insulation Resistance	100 MΩ or more when 500 VDC megger is applied between the windings and the case after rated operation under normal ambient temperature and humidity.
Dielectric Strength	Sufficient to withstand 1.5 kVAC at 50 Hz or 60 Hz applied between the windings and the case for 1 minute after rated operation under normal ambient temperature and humidity.
Temperature Rise	Temperature rise of windings are 70°C (126°F) or less measured by the resistance change method after rated operation under normal ambient temperature and humidity with connecting a gearhead or equivalent heat radiation plate*.
Thermal Class	130 (B)
Overheat Protection	Built-in thermal protector (automatic return type) Open: 150±5°C, (302±9°F), Close: 96±15°C (204.8±27°F)
Ambient Temperature	-10~+40°C (+14~+104°F) (non-freezing)
Ambient Humidity	85% or less (non-condensing)
Degree of Protection	Terminal Box Type: IP54 (excluding the installation surface of the round shaft type) Cable Type: IP40

\* Heat radiation plate: 230×230 mm (9.06×9.06 in.), Thickness: 5 mm (0.20 in.) (Material: Aluminum)

Overview,  
Product  
Series

Constant  
Speed  
Motors

Three-Phase  
Induction  
Motors

Single-Phase  
Induction  
Motors

Reversible  
Motors

Electromagnetic  
Brake Motors

Clutch &  
Brake Motors

Low-Speed  
Synchronous  
Motors

Torque  
Motors

Watertight,  
Dust-Resistant  
Motors

Right-Angle  
Gearheads

Linear  
Heads

Brake Pack

Accessories

Installation

**KII Series**

**6 W (1/125 HP)**

Frame Size: □60 mm (□2.36 in.)



6 W  
(1/125 HP)

15 W  
(1/30 HP)

25 W  
(1/30 HP)

40 W  
(1/19 HP)

60 W  
(1/12 HP)

90 W  
(1/8 HP)

BH Series  
200 W  
(1/4 HP)

2-Pole  
High-Speed  
40-150 W  
(1/19-1/5 HP)

**Specifications – Continuous Rating**



Product Name	Output Power	Voltage	Frequency	Current	Starting Torque	Rated Torque	Rated Speed	Capacitor	Overheat Protection Device
Lead Wire Type	W (HP)	VAC	Hz	A	mN·m (oz-in.)	mN·m (oz-in.)	r/min	μF	
<b>2IK6UA-□A</b>	6 (1/125)	Single-Phase 110	60	0.185	40 (5.6)	41 (5.8)	1450	2.5	ZP
		Single-Phase 115		0.189	40 (5.6)	41 (5.8)			
<b>2IK6UC-□A</b>	6 (1/125)	Single-Phase 220	60	0.093	40 (5.6)	41 (5.8)	1450	0.6	
		Single-Phase 230		0.096	40 (5.6)	41 (5.8)			

● The values in the table are characteristics for the motor only.  
ZP: These products are impedance protected.

**Product Line**

<b>Combination Type</b>	Motor and gearhead are delivered pre-assembled. The combination of motors and gearheads can be changed and they are also available separately. In addition, the gearhead can be removed and the assembly position can be changed in 90° increments.	
-------------------------	---	--

**Combination Type** Price includes motor and gearhead.

Product Name	Gear Ratio	List Price
<b>2IK6UA-□A</b>	<b>5, 6, 7.5, 9, 12.5, 15, 18</b>	\$121.00
	<b>25, 30, 36</b>	\$127.00
	<b>50, 60, 75, 90, 100, 120, 150, 180</b>	\$134.00
	<b>250, 300, 360</b>	\$180.00
<b>2IK6UC-□A</b>	<b>5, 6, 7.5, 9, 12.5, 15, 18</b>	\$124.00
	<b>25, 30, 36</b>	\$130.00
	<b>50, 60, 75, 90, 100, 120, 150, 180</b>	\$137.00
	<b>250, 300, 360</b>	\$183.00

The following items are included with each product.  
Motor, Gearhead, Capacitor, Capacitor Cap, Installation Screws, Parallel Key, Operating Manual

● A number indicating the gear ratio is entered where the box □ is located within the product name.



## Permissible Torque

- The speed is calculated by dividing the motor's synchronous speed (60 Hz: 1800 r/min) by the gear ratio. The actual speed is 2~20% less, depending on the load.

Unit: Upper values: N-m/Lower values: lb-in.

Product Name	Speed r/min	360	300	240	200	144	120	100	72	60	50	36	30	24	20	18	15	12	10	7.2	6	5
	Gear Ratio	5	6	7.5	9	12.5	15	18	25	30	36	50	60	75	90	100	120	150	180	250	300	360
<b>2IK6U</b> -□A	0.18 1.59	0.22 1.94	0.28 2.4	0.33 2.9	0.46 4.0	0.55 4.8	0.66 5.8	0.92 8.1	1.1 9.7	1.3 11.5	1.8 15.9	2.1 18.5	2.6 23	3.2 28	3.5 30	4.2 37	5.0 44	6 53	6 53	6 53	6 53	6 53

## Dimensions Unit = mm (in.)

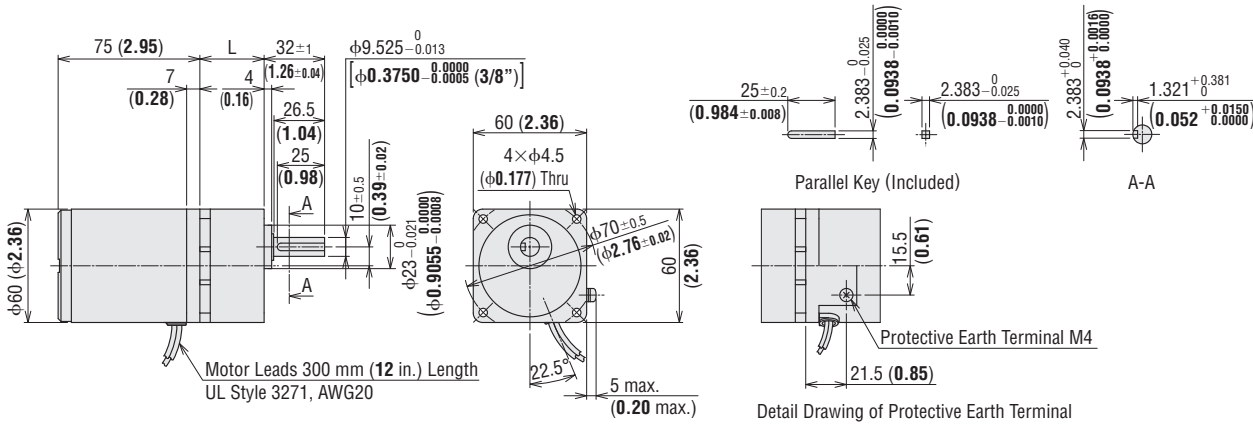
- Installation screws are included. Dimensions for installation screws → Page C-215

### Lead Wire Type

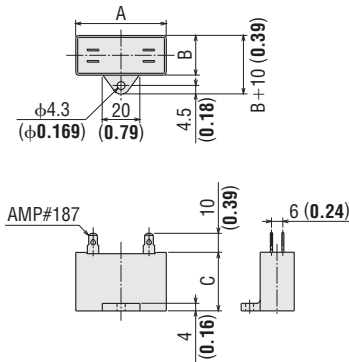
### ◇ Combination Type

2D & 3D CAD

Product Name	Motor Product Name	Gearhead Product Name	Gear Ratio	L	Mass kg (lb.)	2D CAD
<b>2IK6U</b> -□A	2IK6GV-U	2GV□A	5~25	34 (1.34)	1.2 (2.6)	A1243A
			30~120	38 (1.50)		A1243B
			150~360	43 (1.69)		A1243C



### ◇ Capacitor (Included with single-phase motors)



Unit: mm (in.)

Product Name	Capacitor Product Name	A	B	C	Mass g (oz.)
<b>2IK6UA</b> -□A	CH25FAUL2	31 (1.22)	17 (0.67)	27 (1.06)	21 (0.74)
<b>2IK6UC</b> -□A	CH06BFAUL	31 (1.22)	14.5 (0.57)	23.5 (0.93)	18 (0.64)

- A capacitor cap is included.

- Either **A** or **C** indicating the power supply voltage is entered where the box ■ is located within the product name. A number indicating the gear ratio is entered where the box □ is located within the product name.

**KII Series**

**15 W (1/50 HP)**

Frame Size: □70 mm (□2.76 in.)



6 W  
(1/125 HP)

15 W  
(1/50 HP)

25 W  
(1/30 HP)

40 W  
(1/19 HP)

60 W  
(1/12 HP)

90 W  
(1/8 HP)

BH Series  
200 W  
(1/4 HP)

2-Pole  
High-Speed  
40-150 W  
(1/19-1/5 HP)

**Specifications – Continuous Rating**



Product Name	Output Power	Voltage	Frequency	Current	Starting Torque	Rated Torque	Rated Speed	Capacitor	Overheat Protection Device
Lead Wire Type	W (HP)	VAC	Hz	A	mN-m (oz-in.)	mN-m (oz-in.)	r/min	μF	
<b>3IK15UA-□A</b>	15 (1/50)	Single-Phase 110	60	0.31	65 (9.2)	105 (14.9)	1450	4.0	TP
		Single-Phase 115		0.31	65 (9.2)	105 (14.9)			
<b>3IK15UC-□A</b>	15 (1/50)	Single-Phase 220	60	0.154	65 (9.2)	105 (14.9)	1450	1.0	
		Single-Phase 230		0.155	65 (9.2)	105 (14.9)			

● The values in the table are characteristics for the motor only.  
 TP: This indicates that there is a built-in thermal protector (automatic return type). If a motor overheats for any reason, the thermal protector is activated and the motor is stopped.  
 When the motor temperature drops, the thermal protector closes and the motor restarts automatically. Be sure to turn the power supply off before inspecting.

**Product Line**

<b>Combination Type</b>	Motor and gearhead are delivered pre-assembled. The combination of motors and gearheads can be changed and they are also available separately. In addition, the gearhead can be removed and the assembly position can be changed in 90° increments.	
-------------------------	---	--

**Combination Type** Price includes motor and gearhead.

Product Name	Gear Ratio	List Price
<b>3IK15UA-□A</b>	<b>5, 6, 7.5, 9, 12.5, 15, 18</b>	\$132.00
	<b>25, 30, 36</b>	\$138.00
	<b>50, 60, 75, 90, 100, 120, 150, 180</b>	\$145.00
	<b>250, 300, 360</b>	\$189.00
<b>3IK15UC-□A</b>	<b>5, 6, 7.5, 9, 12.5, 15, 18</b>	\$134.00
	<b>25, 30, 36</b>	\$140.00
	<b>50, 60, 75, 90, 100, 120, 150, 180</b>	\$147.00
	<b>250, 300, 360</b>	\$191.00

The following items are included with each product.  
 Motor, Gearhead, Capacitor, Capacitor Cap, Installation Screws, Parallel Key, Operating Manual

● A number indicating the gear ratio is entered where the box □ is located within the product name.

## Permissible Torque

- The speed is calculated by dividing the motor's synchronous speed (60 Hz: 1800 r/min) by the gear ratio.  
The actual speed is 2~20% less, depending on the load.

Unit: Upper values: N-m/Lower values: lb-in.

Product Name	Speed r/min	360	300	240	200	144	120	100	72	60	50	36	30	24	20	18	15	12	10	7.2	6	5
	Gear Ratio	5	6	7.5	9	12.5	15	18	25	30	36	50	60	75	90	100	120	150	180	250	300	360
<b>3IK15U</b> ■-□ <b>A</b>		0.47	0.57	0.71	0.85	1.2	1.4	1.7	2.4	2.7	3.3	4.5	5.4	6.8	8.1	9.0	10	10	10	10	10	10
		4.1	5.0	6.2	7.5	10.6	12.3	15.0	21	23	29	39	47	60	71	79	88	88	88	88	88	88

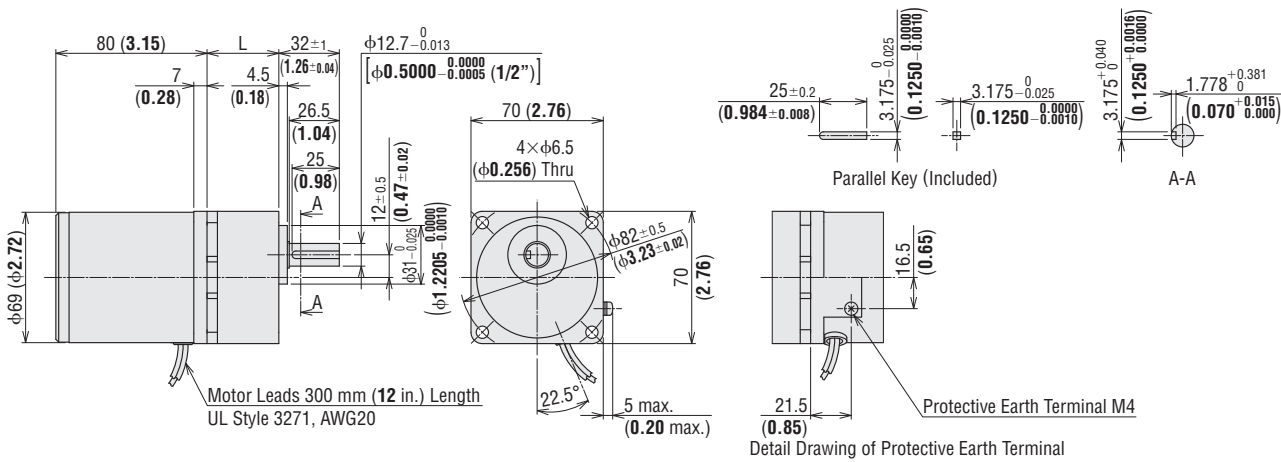
## Dimensions Unit = mm (in.)

- Installation screws are included. Dimensions for installation screws →Page C-215

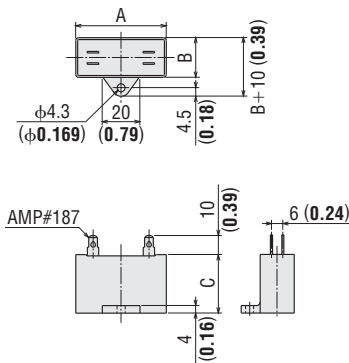
- Lead Wire Type
- Combination Type

2D & 3D CAD

Product Name	Motor Product Name	Gearhead Product Name	Gear Ratio	L	Mass kg (lb.)	2D CAD
<b>3IK15U</b> ■-□ <b>A</b>	3IK15GV-U■	3GV□ <b>A</b>	5~25	38 (1.50)	1.7 (3.7)	A1244A
			30~120	43 (1.69)		A1244B
			150~360	48 (1.89)		A1244C



- Capacitor (Included with single-phase motors)



Product Name	Capacitor Product Name	A	B	C	Mass g (oz.)
<b>3IK15UA</b> ■-□ <b>A</b>	CH40FAUL2	37 (1.46)	18 (0.71)	27 (1.06)	26 (0.92)
<b>3IK15UC</b> ■-□ <b>A</b>	CH10BFAUL	37 (1.46)	18 (0.71)	27 (1.06)	27 (0.95)

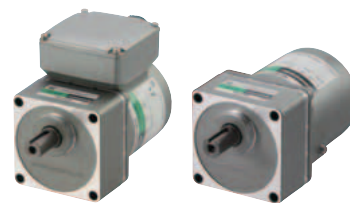
- A capacitor cap is included.

- Either **A** or **C** indicating the power supply voltage is entered where the box ■ is located within the product name.  
A number indicating the gear ratio is entered where the box □ is located within the product name.

KII Series

25 W (1/30 HP)

Frame Size: □80 mm (□3.15 in.)



Terminal Box Type

Lead Wire Type

6 W (1/125 HP)

15 W (1/50 HP)

25 W (1/30 HP)

40 W (1/19 HP)

60 W (1/12 HP)

90 W (1/8 HP)

BH Series 200 W (1/4 HP)

2-Pole High-Speed 40-150 W (1/19-1/5 HP)

Specifications – Continuous Rating



Product Name		Output Power W (HP)	Voltage VAC	Frequency Hz	Current A	Starting Torque mN·m (oz-in.)	Rated Torque mN·m (oz-in.)	Rated Speed r/min	Capacitor μF	Overheat Protection Device
Terminal Box Type	Lead Wire Type									
4IK25UAT2-□A	4IK25UA-□A	25 (1/30)	Single-Phase 110	60	0.44	120 (17.0)	170 (24)	1450	6.0	TP
			Single-Phase 115		0.43	120 (17.0)	170 (24)	1450		
4IK25UCT2-□A	4IK25UC-□A	25 (1/30)	Single-Phase 220	60	0.22	110 (15.6)	170 (24)	1450	1.5	
			Single-Phase 230		0.22	120 (17.0)	170 (24)	1450		

● The values in the table are characteristics for the motor only.

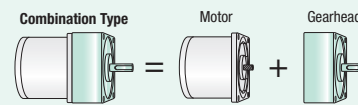
TP: This indicates that there is a built-in thermal protector (automatic return type). If a motor overheats for any reason, the thermal protector is activated and the motor is stopped.

When the motor temperature drops, the thermal protector closes and the motor restarts automatically. Be sure to turn the power supply off before inspecting.

Product Line

Combination Type

Motor and gearhead are delivered pre-assembled. The combination of motors and gearheads can be changed and they are also available separately. In addition, the gearhead can be removed and the assembly position can be changed in 90° increments.



● Combination Type Price includes motor and gearhead.

◇ Terminal Box Type

Product Name	Gear Ratio	List Price
4IK25UAT2-□A	5, 6, 7.5, 9, 12.5, 15, 18	\$162.00
	25, 30, 36	\$168.00
	50, 60, 75, 90, 100, 120, 150, 180	\$175.00
	250, 300, 360	\$222.00
4IK25UCT2-□A	5, 6, 7.5, 9, 12.5, 15, 18	\$165.00
	25, 30, 36	\$171.00
	50, 60, 75, 90, 100, 120, 150, 180	\$178.00
	250, 300, 360	\$225.00

◇ Lead Wire Type

Product Name	Gear Ratio	List Price
4IK25UA-□A	5, 6, 7.5, 9, 12.5, 15, 18	\$140.00
	25, 30, 36	\$146.00
	50, 60, 75, 90, 100, 120, 150, 180	\$153.00
	250, 300, 360	\$200.00
4IK25UC-□A	5, 6, 7.5, 9, 12.5, 15, 18	\$144.00
	25, 30, 36	\$150.00
	50, 60, 75, 90, 100, 120, 150, 180	\$157.00
	250, 300, 360	\$204.00

— The following items are included with each product.

Motor, Gearhead, Capacitor, Capacitor Cap, Installation Screws, Parallel Key, Operating Manual

Permissible Torque

● The speed is calculated by dividing the motor's synchronous speed (60 Hz: 1800 r/min) by the gear ratio.

The actual speed is 2~20% less, depending on the load.

Unit: Upper values: N-m/Lower values: lb-in.

Product Name	Speed r/min	360	300	240	200	144	120	100	72	60	50	36	30	24	20	18	15	12	10	7.2	6	5
	Gear Ratio	5	6	7.5	9	12.5	15	18	25	30	36	50	60	75	90	100	120	150	180	250	300	360
4IK25U□□-□A	0.77	0.92	1.1	1.4	1.9	2.3	2.8	3.8	4.4	5.3	7.3	8.8	11.0	13.2	14.6	16	16	16	16	16	16	16
	6.8	8.1	9.7	12.3	16.8	20	24	33	38	46	64	77	97	116	129	141	141	141	141	141	141	141

● Either **A** or **C** indicating the power supply voltage is entered where the box **■** is located within the product name.

● A code (**T2**) indicating the terminal box type is entered where the box **□** is located within the product name.

A number indicating the gear ratio is entered where the box **□** is located within the product name.

## Dimensions Unit = mm (in.)

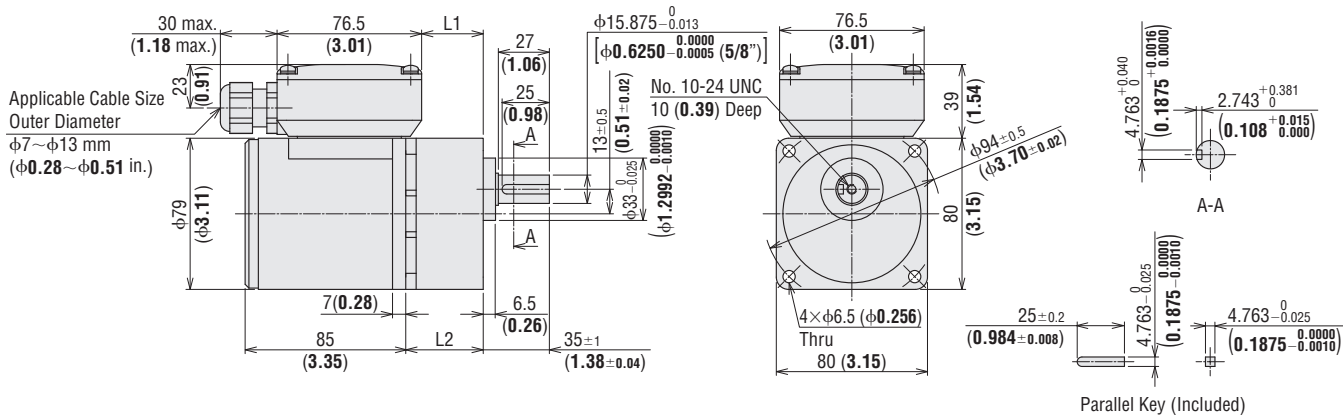
- Installation screws are included. Dimensions for installation screws → Page C-215
- The terminal box cable outlet can be rotated and affixed in 4 possible directions. Details about terminal boxes → Page C-214

### Terminal Box Type

#### ◇ Combination Type

2D & 3D CAD

Product Name	Motor Product Name	Gearhead Product Name	Gear Ratio	L1	L2	Mass kg (lb.)	2D CAD
<b>4IK25U</b> ■T2-□A	4IK25GV-U■T2	4GV□A	<b>5~25</b>	32.6 (1.28)	41 (1.61)	2.75 (6.1)	A1389A
			<b>30~120</b>	37.6 (1.48)	46 (1.81)		A1389B
			<b>150~360</b>	42.6 (1.68)	51 (2.01)		A1389C

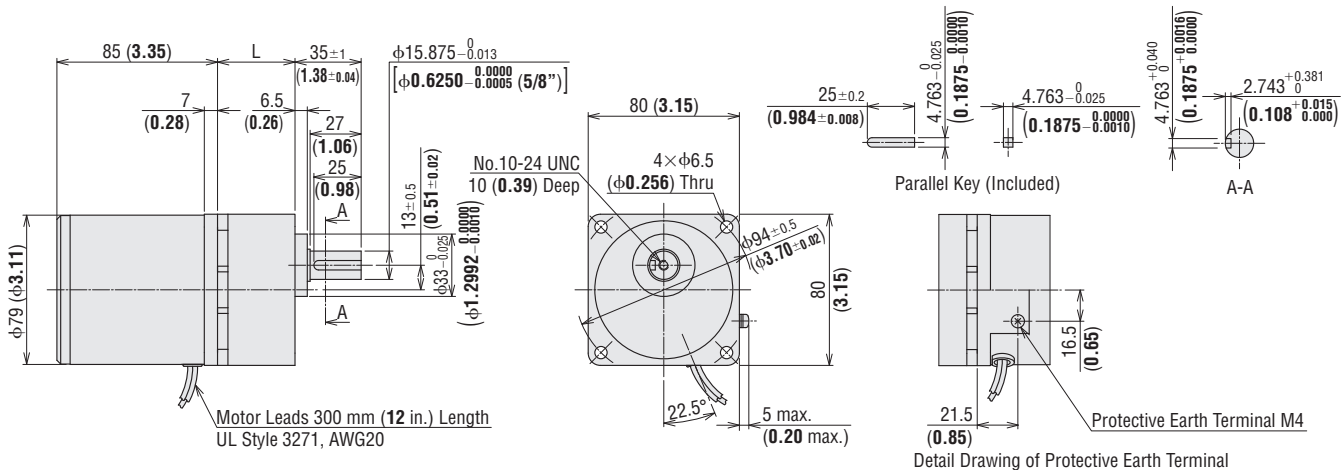


### Lead Wire Type

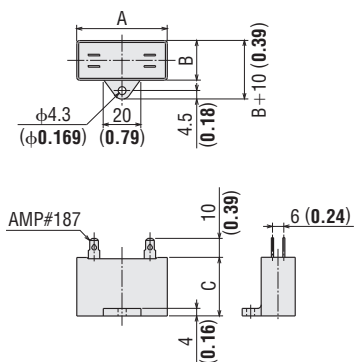
#### ◇ Combination Type

2D & 3D CAD

Product Name	Motor Product Name	Gearhead Product Name	Gear Ratio	L	Mass kg (lb.)	2D CAD
<b>4IK25U</b> ■-□A	4IK25GV-U■	4GV□A	<b>5~25</b>	41 (1.61)	2.45 (5.4)	A1245A
			<b>30~120</b>	46 (1.81)		A1245B
			<b>150~360</b>	51 (2.01)		A1245C



#### ◇ Capacitor (Included with single-phase motors)



Unit: mm (in.)

Product Name		Capacitor Product Name	A	B	C	Mass g (oz.)
Terminal Box Type	Lead Wire Type					
<b>4IK25UAT2</b> -□A	<b>4IK25UA</b> -□A	CH60CFAUL2	38 (1.50)	21 (0.83)	31 (1.22)	35 (1.24)
<b>4IK25UCT2</b> -□A	<b>4IK25UC</b> -□A	CH15BFAUL	38 (1.50)	21 (0.83)	31 (1.22)	37 (1.31)

● A capacitor cap is included.

- Either **A** or **C** indicating the power supply voltage is entered where the box ■ is located within the product name.
- A number indicating the gear ratio is entered where the box □ is located within the product name.

Overview, Product Series

Constant Speed Induction Motors

Three-Phase Induction Motors

Single-Phase Induction Motors

Reversible Motors

Electromagnetic Brake Motors

Clutch & Brake Motors

Low-Speed Synchronous Motors

Torque Motors

Watertight, Dust-Resistant Motors

Right-Angle Gearheads

Linear Heads

Brake Pack

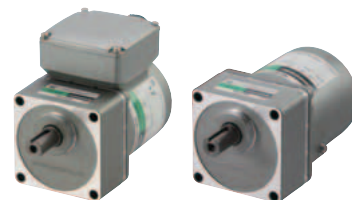
Accessories

Installation

**KII Series**

**40 W (1/19 HP)**

Frame Size: □90 mm (□3.54 in.)



Terminal Box Type

Lead Wire Type

6 W  
(1/125 HP)

15 W  
(1/50 HP)

25 W  
(1/30 HP)

40 W  
(1/19 HP)

60 W  
(1/12 HP)

90 W  
(1/8 HP)

BH Series  
200 W  
(1/4 HP)

2-Pole  
High-Speed  
40-150 W  
(1/19-1/5 HP)

**Specifications – Continuous Rating**



Product Name		Output Power W (HP)	Voltage VAC	Frequency Hz	Current A	Starting Torque mN·m (oz-in.)	Rated Torque mN·m (oz-in.)	Rated Speed r/min	Capacitor μF	Overheat Protection Device
Terminal Box Type	Lead Wire Type									
5IK40UAT2-□A	5IK40UA-□A	40 (1/19)	Single-Phase 110	60	0.66	200 (28)	260 (36)	1500	9.0	TP
					0.65	200 (28)	260 (36)	1500		
					5IK40UCT2-□A	5IK40UC-□A	40 (1/19)	Single-Phase 220		
0.32	200 (28)	260 (36)	1500							

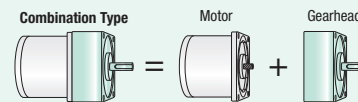
● The values in the table are characteristics for the motor only.

TP: This indicates that there is a built-in thermal protector (automatic return type). If a motor overheats for any reason, the thermal protector is activated and the motor is stopped.

When the motor temperature drops, the thermal protector closes and the motor restarts automatically. Be sure to turn the power supply off before inspecting.

**Product Line**

**Combination Type**  
Motor and gearhead are delivered pre-assembled. The combination of motors and gearheads can be changed and they are also available separately. In addition, the gearhead can be removed and the assembly position can be changed in 90° increments.



● **Combination Type** Price includes motor and gearhead.

◇ **Terminal Box Type**

Product Name	Gear Ratio	List Price
5IK40UAT2-□A	5, 6, 7.5, 9, 12.5, 15, 18	\$191.00
	25, 30, 36	\$198.00
	50, 60, 75, 90, 100, 120, 150, 180	\$205.00
	250, 300	\$283.00
5IK40UCT2-□A	5, 6, 7.5, 9, 12.5, 15, 18	\$194.00
	25, 30, 36	\$201.00
	50, 60, 75, 90, 100, 120, 150, 180	\$208.00
	250, 300	\$286.00

The following items are included with each product.

Motor, Gearhead, Capacitor, Capacitor Cap, Installation Screws, Parallel Key, Operating Manual

◇ **Lead Wire Type**

Product Name	Gear Ratio	List Price
5IK40UA-□A	5, 6, 7.5, 9, 12.5, 15, 18	\$169.00
	25, 30, 36	\$176.00
	50, 60, 75, 90, 100, 120, 150, 180	\$183.00
	250, 300	\$261.00
5IK40UC-□A	5, 6, 7.5, 9, 12.5, 15, 18	\$173.00
	25, 30, 36	\$180.00
	50, 60, 75, 90, 100, 120, 150, 180	\$187.00
	250, 300	\$265.00

**Permissible Torque**

● The speed is calculated by dividing the motor's synchronous speed (60 Hz: 1800 r/min) by the gear ratio.

The actual speed is 2~20% less, depending on the load.

Unit: Upper values: N·m/Lower values: lb-in.

Product Name	Speed r/min	360	300	240	200	144	120	100	72	60	50	36	30	24	20	18	15	12	10	7.2	6
	Gear Ratio	5	6	7.5	9	12.5	15	18	25	30	36	50	60	75	90	100	120	150	180	250	300
5IK40U□□-□A	1.2	1.4	1.8	2.1	2.9	3.5	4.2	5.6	6.7	8.0	11.2	13.4	16.8	20.1	22.4	25.3	30	30	30	30	30
	10.6	12.3	15.9	18.5	25	30	37	49	59	70	99	118	148	177	198	220	260	260	260	260	260

● Either **A** or **C** indicating the power supply voltage is entered where the box ■ is located within the product name.

● A code (**T2**) indicating the terminal box type is entered where the box □ is located within the product name.

A number indicating the gear ratio is entered where the box □ is located within the product name.

## Dimensions Unit = mm (in.)

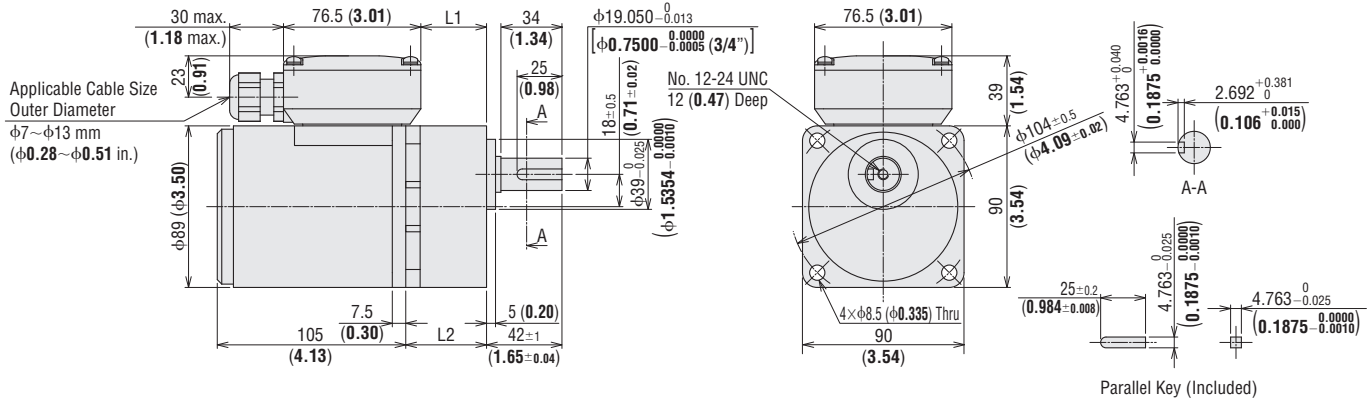
- Installation screws are included. Dimensions for installation screws → Page C-215
- The terminal box cable outlet can be rotated and affixed in 4 possible directions. Details about terminal boxes → Page C-214

### Terminal Box Type

#### ◇ Combination Type

2D & 3D CAD

Product Name	Motor Product Name	Gearhead Product Name	Gear Ratio	L1	L2	Mass kg (lb.)	2D CAD
<b>5IK40U</b> ■-□ <b>A</b>	5IK40GV-U■T2	5GV□A	<b>5~18</b>	36.6 (1.44)	45 (1.77)	4.3 (9.5)	A1390A
			<b>25~100</b>	49.6 (1.95)	58 (2.28)		A1390B
			<b>120~300</b>	55.6 (2.19)	64 (2.52)	A1390C	

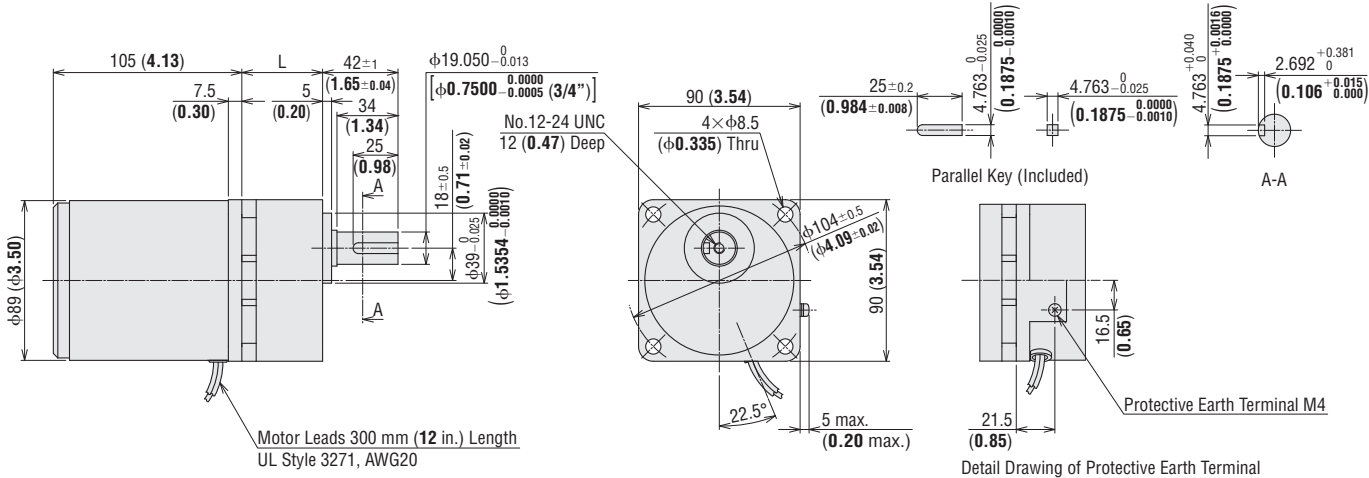


### Lead Wire Type

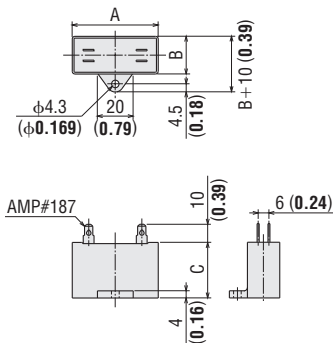
#### ◇ Combination Type

2D & 3D CAD

Product Name	Motor Product Name	Gearhead Product Name	Gear Ratio	L	Mass kg (lb.)	2D CAD
<b>5IK40U</b> ■-□ <b>A</b>	5IK40GV-U■	5GV□A	<b>5~18</b>	45 (1.77)	4.0 (8.8)	A1247A
			<b>25~100</b>	58 (2.28)		A1247B
			<b>120~300</b>	64 (2.52)	A1247C	



#### ◇ Capacitor (Included with single-phase motors)



Unit: mm (in.)

Product Name		Capacitor Product Name	A	B	C	Mass g (oz.)
Terminal Box Type	Lead Wire Type					
<b>5IK40UAT2</b> -□ <b>A</b>	<b>5IK40UA</b> -□ <b>A</b>	CH90CFAUL2	48 (1.89)	22.5 (0.89)	31.5 (1.24)	45 (1.59)
<b>5IK40UCT2</b> -□ <b>A</b>	<b>5IK40UC</b> -□ <b>A</b>	CH20BFAUL	48 (1.89)	19 (0.75)	29 (1.14)	36 (1.27)

● A capacitor cap is included.

- Either **A** or **C** indicating the power supply voltage is entered where the box ■ is located within the product name.
- A number indicating the gear ratio is entered where the box □ is located within the product name.

Overview, Product Series

Constant Speed Induction Motors

Three-Phase Induction Motors

Single-Phase Induction Motors

Reversible Motors

Electromagnetic Brake Motors

Clutch & Brake Motors

Low-Speed Synchronous Motors

Torque Motors

Watertight, Dust-Resistant Motors

Right-Angle Gearheads

Linear Heads

Brake Pack

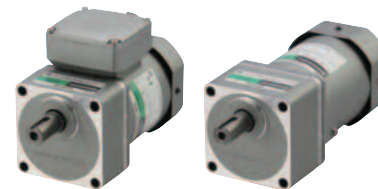
Accessories

Installation

KII Series

60 W (1/12 HP)

Frame Size: □90 mm (□3.54 in.)



Terminal Box Type

Lead Wire Type

6 W  
(1/125 HP)

15 W  
(1/50 HP)

25 W  
(1/30 HP)

40 W  
(1/19 HP)

60 W  
(1/12 HP)

90 W  
(1/8 HP)

BH Series  
200 W  
(1/4 HP)

2-Pole  
High-Speed  
40-150 W  
(1/19-1/5 HP)

Specifications – Continuous Rating



Product Name		Output Power W (HP)	Voltage VAC	Frequency Hz	Current A	Starting Torque mN-m (oz-in.)	Rated Torque mN-m (oz-in.)	Rated Speed r/min	Capacitor μF	Overheat Protection Device
Terminal Box Type	Lead Wire Type									
<b>5IK60UAT2-□A</b>	<b>5IK60UA-□A</b>	60 (1/12)	Single-Phase 110	60	1.09	320 (45)	405 (57)	1450	16	TP
			Single-Phase 115							
<b>5IK60UCT2-□A</b>	<b>5IK60UC-□A</b>	60 (1/12)	Single-Phase 220	60	0.53	320 (45)	405 (57)	1450	4.0	
			Single-Phase 230							

● The values in the table are characteristics for the motor only.

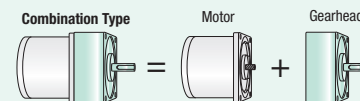
TP: This indicates that there is a built-in thermal protector (automatic return type). If a motor overheats for any reason, the thermal protector is activated and the motor is stopped.

When the motor temperature drops, the thermal protector closes and the motor restarts automatically. Be sure to turn the power supply off before inspecting.

Product Line

Combination Type

Motor and gearhead are delivered pre-assembled. The combination of motors and gearheads can be changed and they are also available separately. In addition, the gearhead can be removed and the assembly position can be changed in 90° increments.



● Combination Type Price includes motor and gearhead.

◇ Terminal Box Type

Product Name	Gear Ratio	List Price
<b>5IK60UAT2-□A</b>	<b>5, 6, 7.5, 9, 12.5, 15, 18</b>	\$245.00
	<b>25, 30, 36, 50, 60, 75, 90, 100</b>	\$256.00
	<b>120, 150, 180</b>	\$266.00
	<b>250, 300</b>	\$300.00
<b>5IK60UCT2-□A</b>	<b>5, 6, 7.5, 9, 12.5, 15, 18</b>	\$250.00
	<b>25, 30, 36, 50, 60, 75, 90, 100</b>	\$261.00
	<b>120, 150, 180</b>	\$271.00
	<b>250, 300</b>	\$305.00

◇ Lead Wire Type

Product Name	Gear Ratio	List Price
<b>5IK60UA-□A</b>	<b>5, 6, 7.5, 9, 12.5, 15, 18</b>	\$224.00
	<b>25, 30, 36, 50, 60, 75, 90, 100</b>	\$235.00
	<b>120, 150, 180</b>	\$245.00
	<b>250, 300</b>	\$279.00
<b>5IK60UC-□A</b>	<b>5, 6, 7.5, 9, 12.5, 15, 18</b>	\$228.00
	<b>25, 30, 36, 50, 60, 75, 90, 100</b>	\$239.00
	<b>120, 150, 180</b>	\$249.00
	<b>250, 300</b>	\$283.00

The following items are included with each product.

Motor, Gearhead, Capacitor, Capacitor Cap, Installation Screws, Parallel Key, Operating Manual

Permissible Torque

● The speed is calculated by dividing the motor's synchronous speed (60 Hz: 1800 r/min) by the gear ratio.

The actual speed is 2~20% less, depending on the load.

Unit: Upper values: N-m/Lower values: lb-in.

Product Name	Speed r/min	360	300	240	200	144	120	100	72	60	50	36	30	24	20	18	15	12	10	7.2	6	
	Gear Ratio	<b>5</b>	<b>6</b>	<b>7.5</b>	<b>9</b>	<b>12.5</b>	<b>15</b>	<b>18</b>	<b>25</b>	<b>30</b>	<b>36</b>	<b>50</b>	<b>60</b>	<b>75</b>	<b>90</b>	<b>100</b>	<b>120</b>	<b>150</b>	<b>180</b>	<b>250</b>	<b>300</b>	
<b>5IK60U-□A</b>		1.8	2.2	2.7	3.3	4.6	5.5	6.6	8.7	10.4	12.5	17.4	20.9	26.1	30	30	30	30	30	30	30	30
		15.9	19.4	23	29	40	48	58	76	92	110	153	184	230	260	260	260	260	260	260	260	260

● Either **A** or **C** indicating the power supply voltage is entered where the box **■** is located within the product name.

● A code (**T2**) indicating the terminal box type is entered where the box **□** is located within the product name.

A number indicating the gear ratio is entered where the box **□** is located within the product name.



## Dimensions Unit = mm (in.)

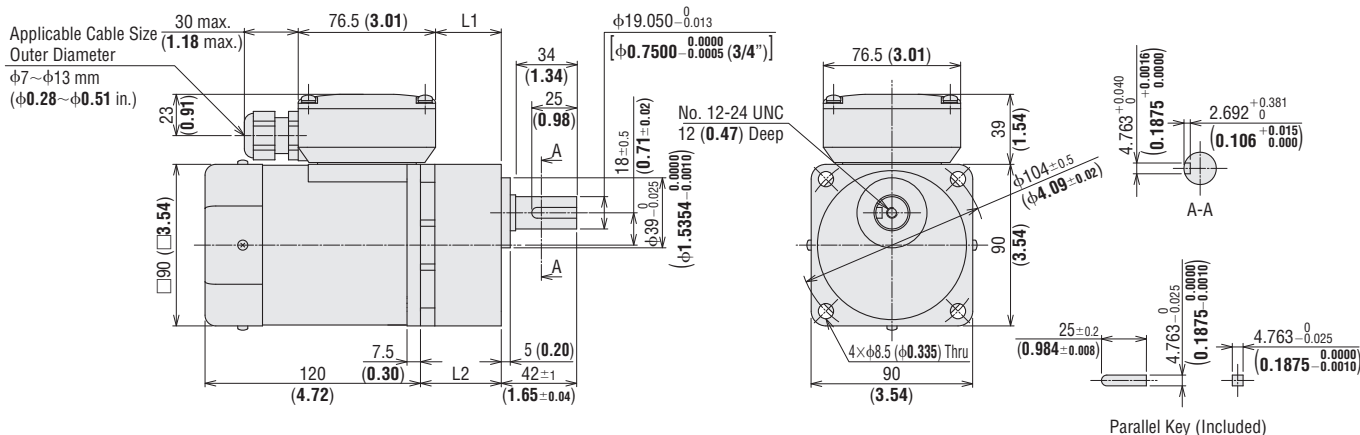
- Installation screws are included. Dimensions for installation screws → Page C-215
- The terminal box cable outlet can be rotated and affixed in 4 possible directions. Details about terminal boxes → Page C-214

### Terminal Box Type

#### ◇ Combination Type

2D & 3D CAD

Product Name	Motor Product Name	Gearhead Product Name	Gear Ratio	L1	L2	Mass kg (lb.)	2D CAD
<b>5IK60U</b> ■T2-□A	5IK60GVH-U■T2	5GVH□A	<b>5~18</b>	36.6 (1.44)	45 (1.77)	4.5 (9.9)	A1391A
			<b>25~100</b>	49.6 (1.95)	58 (2.28)		A1391B
			<b>120~300</b>	55.6 (2.19)	64 (2.52)		A1391C

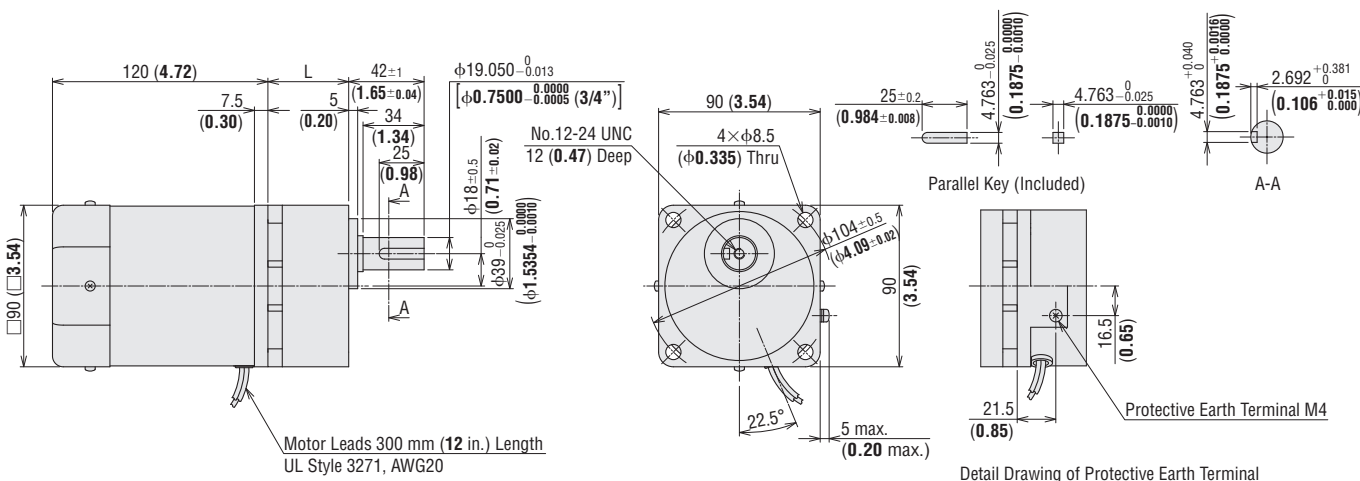


### Lead Wire Type

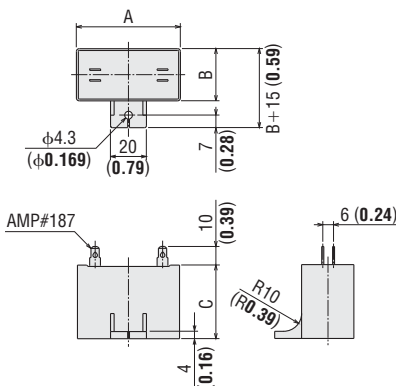
#### ◇ Combination Type

2D & 3D CAD

Product Name	Motor Product Name	Gearhead Product Name	Gear Ratio	L	Mass kg (lb.)	2D CAD
<b>5IK60U</b> ■-□A	5IK60GVH-U■	5GVH□A	<b>5~18</b>	45 (1.77)	4.2 (9.2)	A1249A
			<b>25~100</b>	58 (2.28)		A1249B
			<b>120~300</b>	64 (2.52)		A1249C



#### ◇ Capacitor (Included with single-phase motors)



Unit: mm (in.)

Product Name		Capacitor Product Name	A	B	C	Mass g (oz.)
Terminal Box Type	Lead Wire Type					
<b>5IK60U</b> A2-□A	<b>5IK60U</b> A-□A	CH160CFAUL2	58 (2.28)	23.5 (0.93)	37 (1.46)	71 (2.5)
	<b>5IK60U</b> C2-□A					
		CH40BFAUL	58 (2.28)	23.5 (0.93)	37 (1.46)	73 (2.6)

● A capacitor cap is included.

- Either **A** or **C** indicating the power supply voltage is entered where the box ■ is located within the product name.
- A number indicating the gear ratio is entered where the box □ is located within the product name.

Overview, Product Series

Constant Speed Induction Motors

Three-Phase Induction Motors

Single-Phase Induction Motors

Reversible Motors

Electromagnetic Brake Motors

Clutch & Brake Motors

Low-Speed Synchronous Motors

Torque Motors

Watertight, Dust-Resistant Motors

Right-Angle Gearheads

Linear Heads

Brake Pack

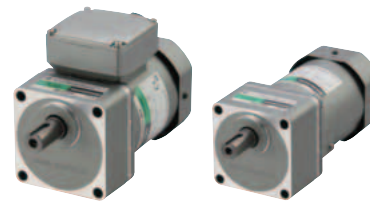
Accessories

Installation

**KII Series**

**90 W (1/8 HP)**

Frame Size: □90 mm (□3.54 in.)



Terminal Box Type

Lead Wire Type

6 W  
(1/125 HP)

15 W  
(1/50 HP)

25 W  
(1/30 HP)

40 W  
(1/19 HP)

60 W  
(1/12 HP)

90 W  
(1/8 HP)

BH Series  
200 W  
(1/4 HP)

2-Pole  
High-Speed  
40-150 W  
(1/19-1/5 HP)

**Specifications – Continuous Rating**



Product Name		Output Power	Voltage	Frequency	Current	Starting Torque	Rated Torque	Rated Speed	Capacitor	Overheat Protection Device
Terminal Box Type	Lead Wire Type	W (HP)	VAC	Hz	A	mN-m (oz-in.)	mN-m (oz-in.)	r/min	μF	
<b>5IK90UAT2-□A</b>	<b>5IK90UA-□A</b>	90 (1/8)	Single-Phase 110	60	1.44	450 (63)	585 (83)	1500	20	TP
			Single-Phase 115		1.44	450 (63)	585 (83)	1500		
<b>5IK90UCT2-□A</b>	<b>5IK90UC-□A</b>	90 (1/8)	Single-Phase 220	60	0.71	450 (63)	605 (85)	1450	5.0	
			Single-Phase 230		0.71	450 (63)	605 (85)	1450		

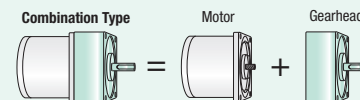
● The values in the table are characteristics for the motor only.

TP: This indicates that there is a built-in thermal protector (automatic return type). If a motor overheats for any reason, the thermal protector is activated and the motor is stopped.

When the motor temperature drops, the thermal protector closes and the motor restarts automatically. Be sure to turn the power supply off before inspecting.

**Product Line**

**Combination Type**  
Motor and gearhead are delivered pre-assembled. The combination of motors and gearheads can be changed and they are also available separately. In addition, the gearhead can be removed and the assembly position can be changed in 90° increments.



● **Combination Type** Price includes motor and gearhead.

◇ **Terminal Box Type**

Product Name	Gear Ratio	List Price
<b>5IK90UAT2-□A</b>	<b>5, 6, 7.5, 9, 12.5, 15, 18</b>	\$265.00
	<b>25, 30, 36, 50, 60,</b>	\$285.00
	<b>75, 90, 100, 120, 150, 180</b>	\$295.00
<b>5IK90UCT2-□A</b>	<b>5, 6, 7.5, 9, 12.5, 15, 18</b>	\$269.00
	<b>25, 30, 36, 50, 60,</b>	\$289.00
	<b>75, 90, 100, 120, 150, 180</b>	\$299.00

◇ **Lead Wire Type**

Product Name	Gear Ratio	List Price
<b>5IK90UA-□A</b>	<b>5, 6, 7.5, 9, 12.5, 15, 18</b>	\$243.00
	<b>25, 30, 36, 50, 60,</b>	\$263.00
	<b>75, 90, 100, 120, 150, 180</b>	\$273.00
<b>5IK90UC-□A</b>	<b>5, 6, 7.5, 9, 12.5, 15, 18</b>	\$248.00
	<b>25, 30, 36, 50, 60,</b>	\$268.00
	<b>75, 90, 100, 120, 150, 180</b>	\$278.00

The following items are included with each product.  
Motor, Gearhead, Capacitor, Capacitor Cap, Installation Screws, Parallel Key, Operating Manual

**Permissible Torque**

● The speed is calculated by dividing the motor's synchronous speed (60 Hz: 1800 r/min) by the gear ratio.

The actual speed is 2~20% less, depending on the load.

Unit: Upper values: N-m/Lower values: lb-in.

Product Name	Speed r/min	360	300	240	200	144	120	100	72	60	50	36	30	24	20	18	15	12	10
	Gear Ratio	<b>5</b>	<b>6</b>	<b>7.5</b>	<b>9</b>	<b>12.5</b>	<b>15</b>	<b>18</b>	<b>25</b>	<b>30</b>	<b>36</b>	<b>50</b>	<b>60</b>	<b>75</b>	<b>90</b>	<b>100</b>	<b>120</b>	<b>150</b>	<b>180</b>
<b>5IK90UA-□-□A</b>	2.6	3.2	3.9	4.7	6.6	7.9	9.1	12.6	15.1	18.1	25.2	30.2	35.5	40	40	40	40	40	40
	23	28	34	41	58	69	80	111	133	160	220	260	310	350	350	350	350	350	350
<b>5IK90UC-□-□A</b>	2.7	3.3	4.1	4.9	6.8	8.2	9.4	13.0	15.6	18.7	26.0	31.2	36.8	40	40	40	40	40	40
	23	29	36	43	60	72	83	115	138	165	230	270	320	350	350	350	350	350	350

● A code (T2) indicating the terminal box type is entered where the box □ is located within the product name.

A number indicating the gear ratio is entered where the box □ is located within the product name.

## Dimensions Unit = mm (in.)

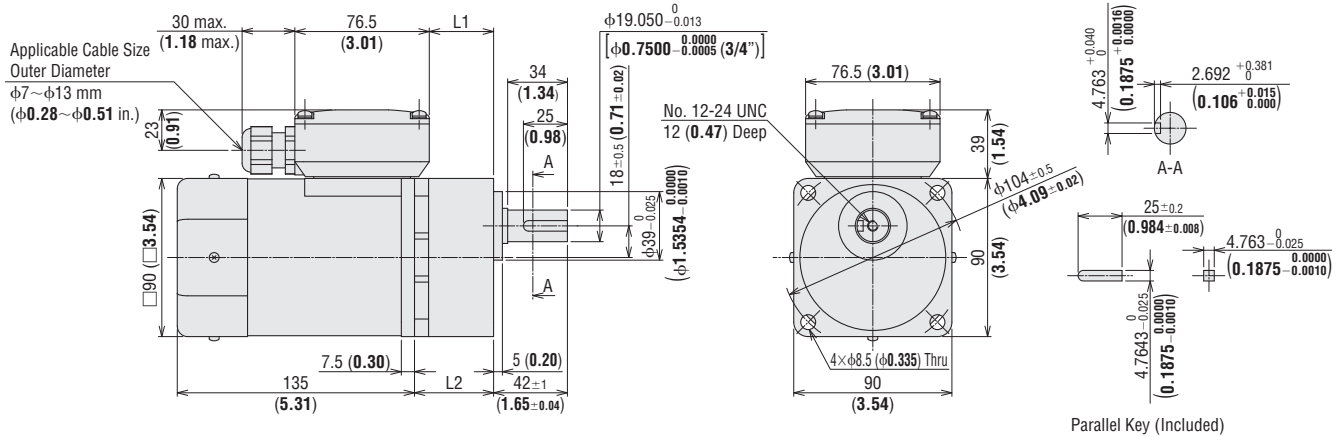
- Installation screws are included. Dimensions for installation screws → Page C-215
- The terminal box cable outlet can be rotated and affixed in 4 possible directions. Details about terminal boxes → Page C-214

### Terminal Box Type

#### ◇ Combination Type

2D & 3D CAD

Product Name	Motor Product Name	Gearhead Product Name	Gear Ratio	L1	L2	Mass kg (lb.)	2D CAD
<b>5IK90U</b> ■T2-□A	5IK90GVR-U■T2	5GVR□A	<b>5~15</b>	36.6 (1.44)	45 (1.77)	5.0 (11.0)	A1392A
			<b>18~36</b>	49.6 (1.95)	58 (2.28)		A1392B
			<b>50~180</b>	61.6 (2.43)	70 (2.76)		A1392C

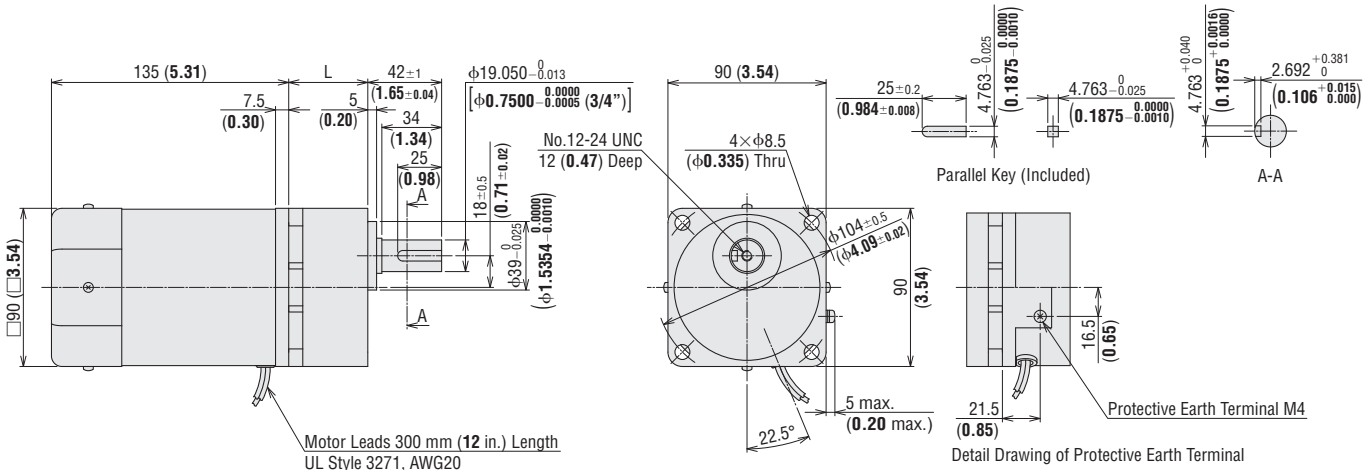


### Lead Wire Type

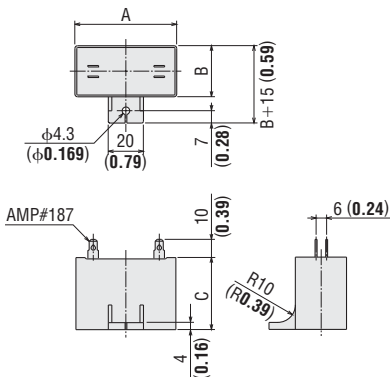
#### ◇ Combination Type

2D & 3D CAD

Product Name	Motor Product Name	Gearhead Product Name	Gear Ratio	L	Mass kg (lb.)	2D CAD
<b>5IK90U</b> ■-□A	5IK90GVR-U■	5GVR□A	<b>5~15</b>	45 (1.77)	4.7 (10.3)	A1251A
			<b>18~36</b>	58 (2.28)		A1251B
			<b>50~180</b>	70 (2.76)		A1251C



#### ◇ Capacitor (Included with single-phase motors)



Unit: mm (in.)

Product Name		Capacitor Product Name	A	B	C	Mass g (oz.)
Terminal Box Type	Lead Wire Type					
<b>5IK90UAT2</b> -□A	<b>5IK90UA</b> -□A	CH200CFAUL2	58 (2.28)	29 (1.14)	41 (1.61)	91 (3.2)
<b>5IK90UCT2</b> -□A	<b>5IK90UC</b> -□A	CH50BFAUL	58 (2.28)	29 (1.14)	41 (1.61)	93 (3.3)

● A capacitor cap is included.

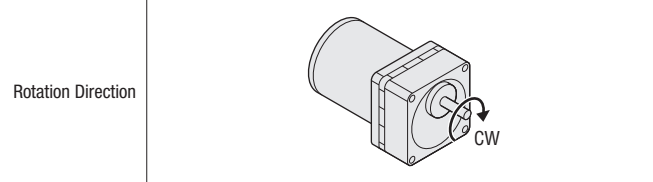
- Either **A** or **C** indicating the power supply voltage is entered where the box ■ is located within the product name.
- A number indicating the gear ratio is entered where the box □ is located within the product name.

Connection Diagrams

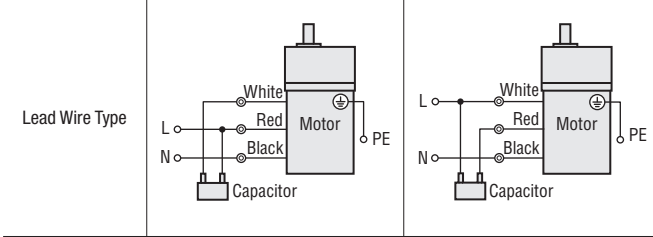
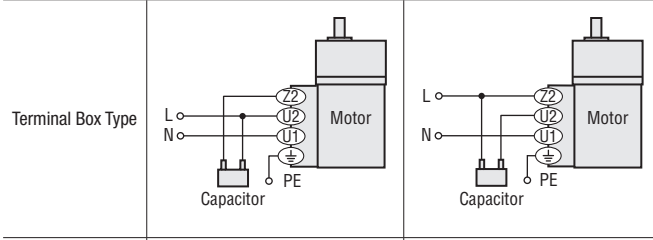
● Parallel Shaft Combination Type

◇ CW Rotation

Output Power	Gear Ratio	
6 W (1/125 HP) 15 W (1/50 HP) 25 W (1/30 HP)	Gear Ratio: <b>5~25,</b> <b>150~360</b>	Gear Ratio: <b>30~120</b>
40 W (1/19 HP) 60 W (1/12 HP)	Gear Ratio: <b>5~18,</b> <b>120~300</b>	Gear Ratio: <b>25~100</b>
90 W (1/8 HP)	Gear Ratio: <b>5~15,</b> <b>75~180</b>	Gear Ratio: <b>18~60</b>

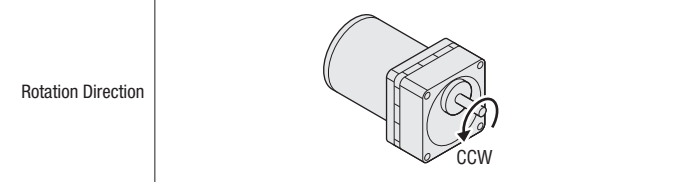


Single-Phase Motor

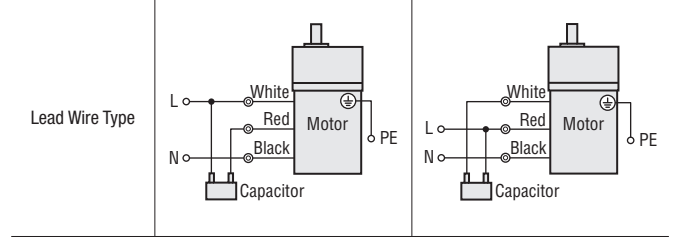
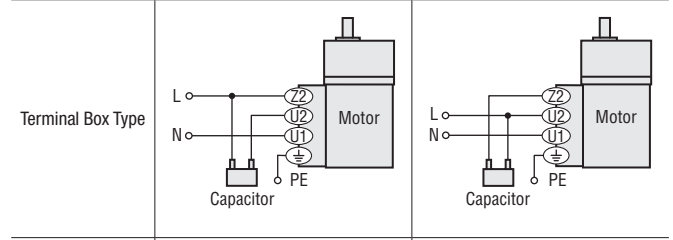


◇ CCW Rotation

Output Power	Gear Ratio	
6 W (1/125 HP) 15 W (1/50 HP) 25 W (1/30 HP)	Gear Ratio: <b>5~25,</b> <b>150~360</b>	Gear Ratio: <b>30~120</b>
40 W (1/19 HP) 60 W (1/12 HP)	Gear Ratio: <b>5~18,</b> <b>120~300</b>	Gear Ratio: <b>25~100</b>
90 W (1/8 HP)	Gear Ratio: <b>5~15,</b> <b>75~180</b>	Gear Ratio: <b>18~60</b>



Single-Phase Motor

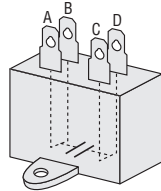


Note

- Change the direction of single-phase motor rotation only after bringing the motor to a stop. If an attempt is made to change the direction of rotation while the motor is rotating, the motor may ignore the reversing command or change its direction of rotation after some delay.

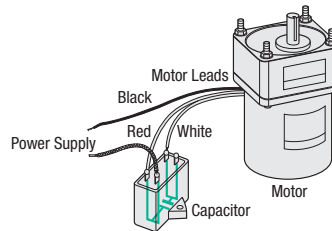
● How to Connect a Capacitor

The capacitor has 4 terminals: terminal A is connected internally to terminal B, and terminal C is connected internally to terminal D, as shown in the illustration. Electrically, this creates 2 terminals.



Inner Wiring Diagram for 4-Terminal Capacitor

● Connecting method of capacitor and motor (For induction motor/clockwise rotation)



## List of Motor and Gearhead Combinations

### Terminal Box Type

Type	Product Name	Motor Product Name	Gearhead Product Name
Terminal Box Type	<b>4IK25UAT2-□A</b>	4IK25GVUAT2	4GV□A
	<b>4IK25UCT2-□A</b>	4IK25GVUCT2	
	<b>5IK40UAT2-□A</b>	5IK40GVUAT2	5GV□A
	<b>5IK40UCT2-□A</b>	5IK40GVUCT2	5GVH□A
	<b>5IK60UAT2-□A</b>	5IK60GVH-UAT2	
	<b>5IK60UCT2-□A</b>	5IK60GVH-UCT2	
	<b>5IK90UAT2-□A</b>	5IK90GVR-UAT2	5GVR□A
	<b>5IK90UCT2-□A</b>	5IK90GVR-UCT2	

### Lead Wire Type

Type	Product Name	Motor Product Name	Gearhead Product Name
Lead Wire Type	<b>2IK6UA-□A</b>	2IK6GVUA	2GV□A
	<b>2IK6UC-□A</b>	2IK6GVUC	
	<b>3IK15UA-□A</b>	3IK15GVUA	3GV□A
	<b>3IK15UC-□A</b>	3IK15GVUC	
	<b>4IK25UA-□A</b>	4IK25GVUA	4GV□A
	<b>4IK25UC-□A</b>	4IK25GVUC	
	<b>5IK40UA-□A</b>	5IK40GVUA	5GV□A
	<b>5IK40UC-□A</b>	5IK40GVUC	
	<b>5IK60UA-□A</b>	5IK60GVH-UA	5GVH□A
	<b>5IK60UC-□A</b>	5IK60GVH-UC	
	<b>5IK90UA-□A</b>	5IK90GVR-UA	5GVR□A
	<b>5IK90UC-□A</b>	5IK90GVR-UC	

Overview, Product Series

Constant Speed Induction Motors

Three-Phase Induction Motors

Single-Phase Induction Motors

Reversible Motors

Electromagnetic Brake Motors

Clutch & Brake Motors

Low-Speed Synchronous Motors

Torque Motors

Watertight, Dust-Resistant Motors

Right-Angle Gearheads

Linear Heads

Brake Pack

Accessories

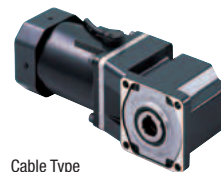
Installation

● A number indicating the gear ratio is entered where the box □ is located within the product name.

# High Power Induction Motors BH Series

## 200 W (1/4 HP)

### Frame Size: □104 mm (□4.09 in.)



Cable Type  
Right-Angle Hollow Shaft



Terminal Box Type  
Parallel Shaft

6 W  
(1/125 HP)

15 W  
(1/50 HP)

25 W  
(1/30 HP)

40 W  
(1/19 HP)

60 W  
(1/12 HP)

90 W  
(1/8 HP)

**BH Series**  
200 W  
(1/4 HP)

2-Pole  
High-Speed  
40-150 W  
(1/19-1/5 HP)

### Features

- **High Power 200 W (1/4 HP)**  
Smallest frame size among 200 W (1/4 HP) motors
- **Hypoid Gear Right-Angle Gearheads**  
Right-angle gearheads employ hypoid gears. Hollow shafts and solid shafts are available to enable space-saving.

- **Tapped Hole at the Shaft End**  
The gearhead shafts feature a tapped hole for convenient connection with loads.

- **"Combination Type" for Easy Installation**  
The combination type comes with the motor and gearhead pre-assembled. This enables easy installation in equipment.

### Specifications – Continuous Rating



Product Name Combination Type ( ) : Round Shaft Type		Output Power W HP	Voltage VAC	Frequency Hz	Current A	Starting Torque N-m oz-in	Rated Torque N-m oz-in	Rated Speed r/min	Capacitor μF	Overheat Protection Device
Terminal Box Type	Cable Type									
<b>BHI62FT-□RH</b> <b>BHI62FT-□RA</b> <b>BHI62FT-□</b> <b>(BHI62FT-A)</b>	<b>BHI62F-□RH</b> <b>BHI62F-□RA</b> <b>BHI62F-□</b> <b>(BHI62F-A)</b>	200 1/4	Single-Phase 110	60	3	0.88 124	1.27 180	1500	40	TP
			Single-Phase 115			0.98 139				
<b>BHI62ET-□RH</b> <b>BHI62ET-□RA</b> <b>BHI62ET-□</b> <b>(BHI62ET-A)</b>	<b>BHI62E-□RH</b> <b>BHI62E-□RA</b> <b>BHI62E-□</b> <b>(BHI62E-A)</b>	200 1/4	Single-Phase 220	50	1.5	0.98 139	1.52 210	1250	10	TP
			Single-Phase 220	60			1.27 180	1500		
			Single-Phase 230	50			1.52 210	1250		
			Single-Phase 230	60			1.27 180	1500		

● A number indicating the gear ratio is entered where the box □ is located within the product name. The values for each specification applies to the motor only.

● For detailed information about regulations and standards, please see the Oriental Motor website.

TP: Contains a built-in thermal protector (automatic return type). If a motor overheats for any reason, the thermal protector is activated and the motor is stopped. When the motor temperature drops, the thermal protector closes and the motor restarts. Be sure to turn the motor power off before inspecting.

### Product Line

Combination Type	Motor and gearhead are delivered pre-assembled.
	The combination of motors and gearheads can be changed and they are also available separately.
	In addition, the gearhead can be removed and the assembly position can be changed in 90° increments.

### Combination Type

#### ◇ Right-Angle Shaft

Type	Voltage	Product Name	Gear Ratio	List Price
Hollow Shaft Terminal Box	Single-Phase 110/115 VAC	<b>BHI62FT-□RH</b>	5, 6, 7.5, 9, 12.5, 15, 18, 25, 30, 36	\$426.00
			50, 60, 75, 90, 100, 120, 150, 180	\$446.00
	Single-Phase 220/230 VAC	<b>BHI62ET-□RH</b>	5, 6, 7.5, 9, 12.5, 15, 18, 25, 30, 36	\$433.00
			50, 60, 75, 90, 100, 120, 150, 180	\$453.00
Hollow Shaft Cable	Single-Phase 110/115 VAC	<b>BHI62F-□RH</b>	5, 6, 7.5, 9, 12.5, 15, 18, 25, 30, 36	\$396.00
			50, 60, 75, 90, 100, 120, 150, 180	\$416.00
	Single-Phase 220/230 VAC	<b>BHI62E-□RH</b>	5, 6, 7.5, 9, 12.5, 15, 18, 25, 30, 36	\$403.00
			50, 60, 75, 90, 100, 120, 150, 180	\$423.00
Solid Shaft Terminal Box	Single-Phase 110/115 VAC	<b>BHI62FT-□RA</b>	5, 6, 7.5, 9, 12.5, 15, 18, 25, 30, 36	\$420.00
			50, 60, 75, 90, 100, 120, 150, 180	\$440.00
	Single-Phase 220/230 VAC	<b>BHI62ET-□RA</b>	5, 6, 7.5, 9, 12.5, 15, 18, 25, 30, 36	\$427.00
			50, 60, 75, 90, 100, 120, 150, 180	\$447.00
Solid Shaft Cable	Single-Phase 110/115 VAC	<b>BHI62F-□RA</b>	5, 6, 7.5, 9, 12.5, 15, 18, 25, 30, 36	\$390.00
			50, 60, 75, 90, 100, 120, 150, 180	\$410.00
	Single-Phase 220/230 VAC	<b>BHI62E-□RA</b>	5, 6, 7.5, 9, 12.5, 15, 18, 25, 30, 36	\$397.00
			50, 60, 75, 90, 100, 120, 150, 180	\$417.00

The following items are included with each product.  
Motor, Gearhead, Capacitor, Capacitor Cap, Parallel Key, Operating Manual

● A number indicating the gear ratio is entered where the box □ is located within the product name.

## ◇ Parallel Shaft

Type	Voltage	Product Name	Gear Ratio	List Price
Parallel Shaft Terminal Box	Single-Phase 110/115 VAC	<b>BHI62FT</b> -□	<b>3, 3.6, 5, 6, 7.5, 9</b>	\$364.00
			<b>12.5, 15, 18, 25, 30, 36</b>	\$374.00
			<b>50, 60, 75, 90, 100, 120, 150, 180</b>	\$383.00
	Single-Phase 220/230 VAC	<b>BHI62ET</b> -□	<b>3, 3.6, 5, 6, 7.5, 9</b>	\$371.00
			<b>12.5, 15, 18, 25, 30, 36</b>	\$381.00
			<b>50, 60, 75, 90, 100, 120, 150, 180</b>	\$391.00
Parallel Shaft Cable	Single-Phase 110/115 VAC	<b>BHI62F</b> -□	<b>3, 3.6, 5, 6, 7.5, 9</b>	\$334.00
			<b>12.5, 15, 18, 25, 30, 36</b>	\$344.00
			<b>50, 60, 75, 90, 100, 120, 150, 180</b>	\$354.00
	Single-Phase 220/230 VAC	<b>BHI62E</b> -□	<b>3, 3.6, 5, 6, 7.5, 9</b>	\$342.00
			<b>12.5, 15, 18, 25, 30, 36</b>	\$351.00
			<b>50, 60, 75, 90, 100, 120, 150, 180</b>	\$361.00

● A number indicating the gear ratio is entered where the box □ is located within the product name.

— The following items are included with each product. —  
 Motor, Gearhead, Capacitor, Capacitor Cap, Installation Screws, Parallel Key, Operating Manual

## ● Round Shaft Type

Type	Voltage	Product Name	List Price
Terminal Box	Single-Phase 110/115 VAC	<b>BHI62FT-A</b>	\$214.00
	Single-Phase 220/230 VAC	<b>BHI62ET-A</b>	\$221.00
Cable	Single-Phase 110/115 VAC	<b>BHI62F-A</b>	\$184.00
	Single-Phase 220/230 VAC	<b>BHI62E-A</b>	\$191.00

— The following items are included with each product. —  
 Motor, Capacitor, Capacitor Cap, Operating Manual

## ■ Gearmotor – Torque Table for Combination Type

- Enter the code that represents the terminal box type “T” in the box □ within the product name.
- A number indicating the gear ratio is entered where the box □ is located within the product name.
- The speed is calculated by dividing the motor's synchronous speed (50 Hz: 1500 r/min, 60 Hz: 1800 r/min) by the gear ratio.  
 The actual speed is 2~20% less than the displayed value, depending on the load.
- Decimal gearheads are not available for the **BH** series.

### ● Right-Angle Shaft 50 Hz

Unit: Upper values: N-m/Lower values: lb-in

Product Name	Speed r/min	300	250	200	167	120	100	83	60	50	42	30	25	20	17	15	12.5	10	8.3
	Gear Ratio	<b>5</b>	<b>6</b>	<b>7.5</b>	<b>9</b>	<b>12.5</b>	<b>15</b>	<b>18</b>	<b>25</b>	<b>30</b>	<b>36</b>	<b>50</b>	<b>60</b>	<b>75</b>	<b>90</b>	<b>100</b>	<b>120</b>	<b>150</b>	<b>180</b>
<b>BHI62E</b> □-□RH, <b>BHI62E</b> □-□RA	5.5	6.7	8.3	10.0	13.9	16.6	20.0	27.7	33.3	36.0	40.0	43.0	47.0	51.5	54.5	60	60	60	
	48	59	73	88	123	146	177	240	290	310	350	380	410	450	480	530	530	530	

### ● Right-Angle Shaft 60 Hz

Unit: Upper values: N-m/Lower values: lb-in

Product Name	Speed r/min	360	300	240	200	144	120	100	72	60	50	36	30	24	20	18	15	12	10
	Gear Ratio	<b>5</b>	<b>6</b>	<b>7.5</b>	<b>9</b>	<b>12.5</b>	<b>15</b>	<b>18</b>	<b>25</b>	<b>30</b>	<b>36</b>	<b>50</b>	<b>60</b>	<b>75</b>	<b>90</b>	<b>100</b>	<b>120</b>	<b>150</b>	<b>180</b>
<b>BHI62F</b> □-□RH, <b>BHI62F</b> □-□RA <b>BHI62E</b> □-□RH, <b>BHI62E</b> □-□RA	4.6	5.6	7.0	8.3	11.6	13.9	16.7	23.2	27.8	33.4	40.0	43.0	47.0	51.5	54.5	60	60	60	
	40	49	61	73	102	123	147	200	240	290	350	380	410	450	480	530	530	530	

### ● Parallel Shaft 50 Hz

Unit: Upper values: N-m/Lower values: lb-in

Product Name	Speed r/min	500	417	300	250	200	167	120	100	83	60	50	42	30	25	20	17	15	12.5	10	8.3
	Gear Ratio	<b>3</b>	<b>3.6</b>	<b>5</b>	<b>6</b>	<b>7.5</b>	<b>9</b>	<b>12.5</b>	<b>15</b>	<b>18</b>	<b>25</b>	<b>30</b>	<b>36</b>	<b>50</b>	<b>60</b>	<b>75</b>	<b>90</b>	<b>100</b>	<b>120</b>	<b>150</b>	<b>180</b>
<b>BHI62E</b> □-□	4.1	4.9	6.8	8.2	10.3	12.3	16.3	19.6	23.5	32.7	39.2	40	40	40	40	40	40	40	40	40	40
	36	43	60	72	91	108	144	173	200	280	340	350	350	350	350	350	350	350	350	350	350

### ● Parallel Shaft 60 Hz

Unit: Upper values: N-m/Lower values: lb-in

Product Name	Speed r/min	600	500	360	300	240	200	144	120	100	72	60	50	36	30	24	20	18	15	12	10
	Gear Ratio	<b>3</b>	<b>3.6</b>	<b>5</b>	<b>6</b>	<b>7.5</b>	<b>9</b>	<b>12.5</b>	<b>15</b>	<b>18</b>	<b>25</b>	<b>30</b>	<b>36</b>	<b>50</b>	<b>60</b>	<b>75</b>	<b>90</b>	<b>100</b>	<b>120</b>	<b>150</b>	<b>180</b>
<b>BHI62F</b> □-□, <b>BHI62E</b> □-□	3.4	4.1	5.7	6.9	8.6	10.3	13.7	16.4	19.7	27.3	32.8	39.3	40	40	40	40	40	40	40	40	40
	30	36	50	61	76	91	121	145	174	240	290	340	350	350	350	350	350	350	350	350	350

## ■ Permissible Radial Load and Permissible Axial

Combination Type → Page C-17

Round Shaft Type → Page C-17

## ■ Permissible Inertia J of Gearhead

→ Page C-18

Overview, Product Series

Constant Speed Induction Motors

Three-Phase Induction Motors

Single-Phase Induction Motors

Reversible Motors

Electromagnetic Brake Motors

Clutch & Brake Motors

Low-Speed Synchronous Motors

Torque Motors

Watertight, Dust-Resistant Motors

Right-Angle Gearheads

Linear Heads

Brake Pack

Accessories

Installation

**Dimensions** Unit = mm (in.)

● Installation screws are included with the combination type, parallel shaft. Dimensions for installation screws → Page C-215

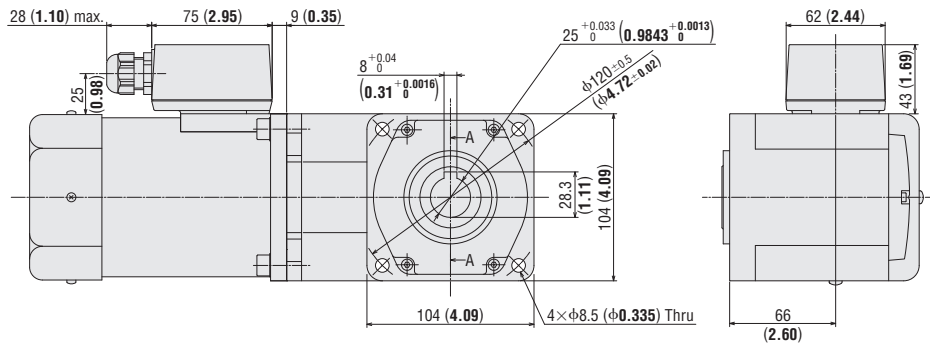
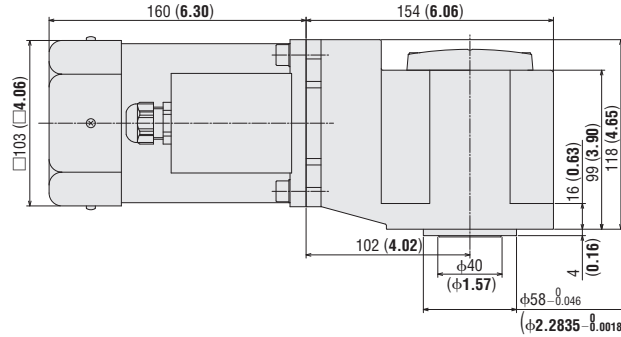
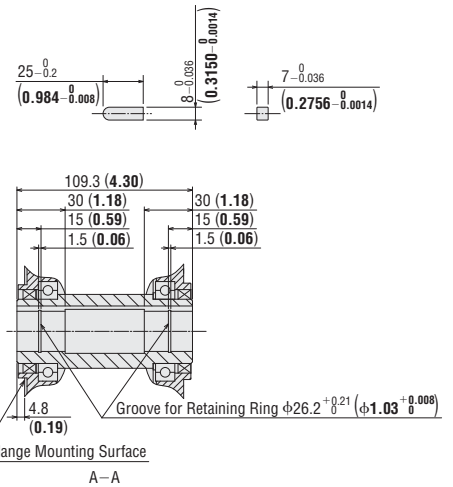
◇ **Combination Type: Right-Angle, Hollow Shaft (Terminal Box Type)**

**BHI62FT-□RH, BHI62ET-□RH**

Mass: 10.0 kg (22 lb.)  
 Motor: BHI62FT-G2, BHI62ET-G2  
 Gearhead: BH6G2-□RH

**2D CAD** A301  
**3D CAD**

◇ **Key (Included)**



- Use cable with a diameter of  $\phi 6 \sim \phi 12$  mm ( $\phi 0.24 \sim \phi 0.47$  in.).
- Details of terminal box → Page C-214

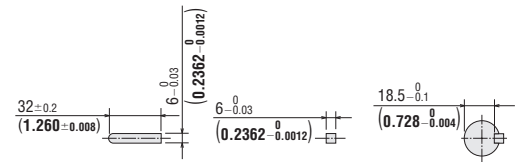
◇ **Combination Type: Right-Angle, Solid Shaft (Terminal Box Type)**

**BHI62FT-□RA, BHI62ET-□RA**

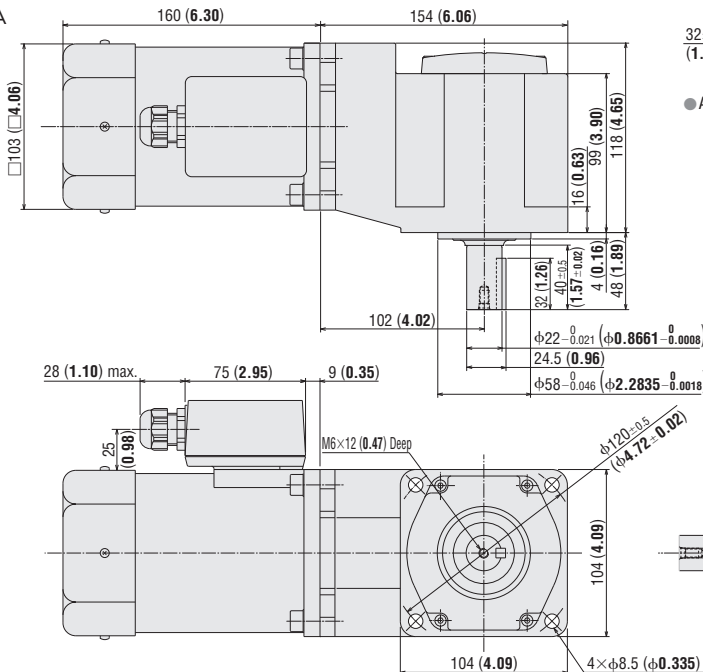
Mass: 10.0 kg (22 lb.)  
 Motor: BHI62FT-G2, BHI62ET-G2  
 Gearhead: BH6G2-□RA

**2D CAD** A302  
**3D CAD**

◇ **Key and Key Slot (Included)**



● At the time of shipment, a key is inserted on the gearhead's shaft.



- Use cable with a diameter of  $\phi 6 \sim \phi 12$  mm ( $\phi 0.24 \sim \phi 0.47$  in.).
- Details of terminal box → Page C-214
- A number indicating the gear ratio is entered where the box □ is located within the product name.



◇ Combination Type: Right-Angle, Hollow Shaft (Cable Type)

**BHI62F-□RH, BHI62E-□RH**

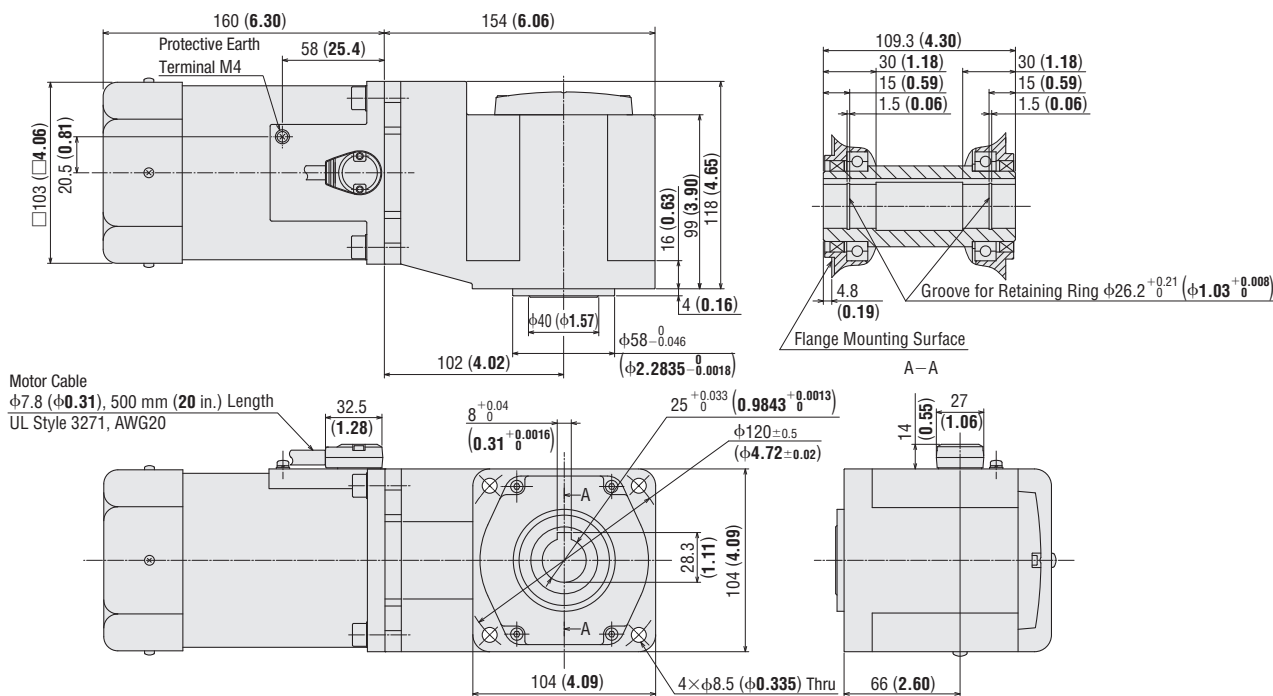
Mass: 10.0 kg (22 lb.)

Motor: BHI62F-G2, BHI62E-G2

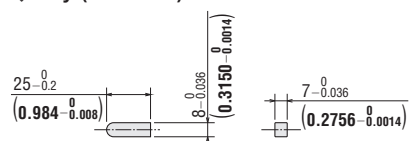
Gearhead: BH6G2-□RH

2D CAD A299

3D CAD



◇ Key (Included)



◇ Combination Type: Right-Angle, Solid Shaft (Cable Type)

**BHI62F-□RA, BHI62E-□RA**

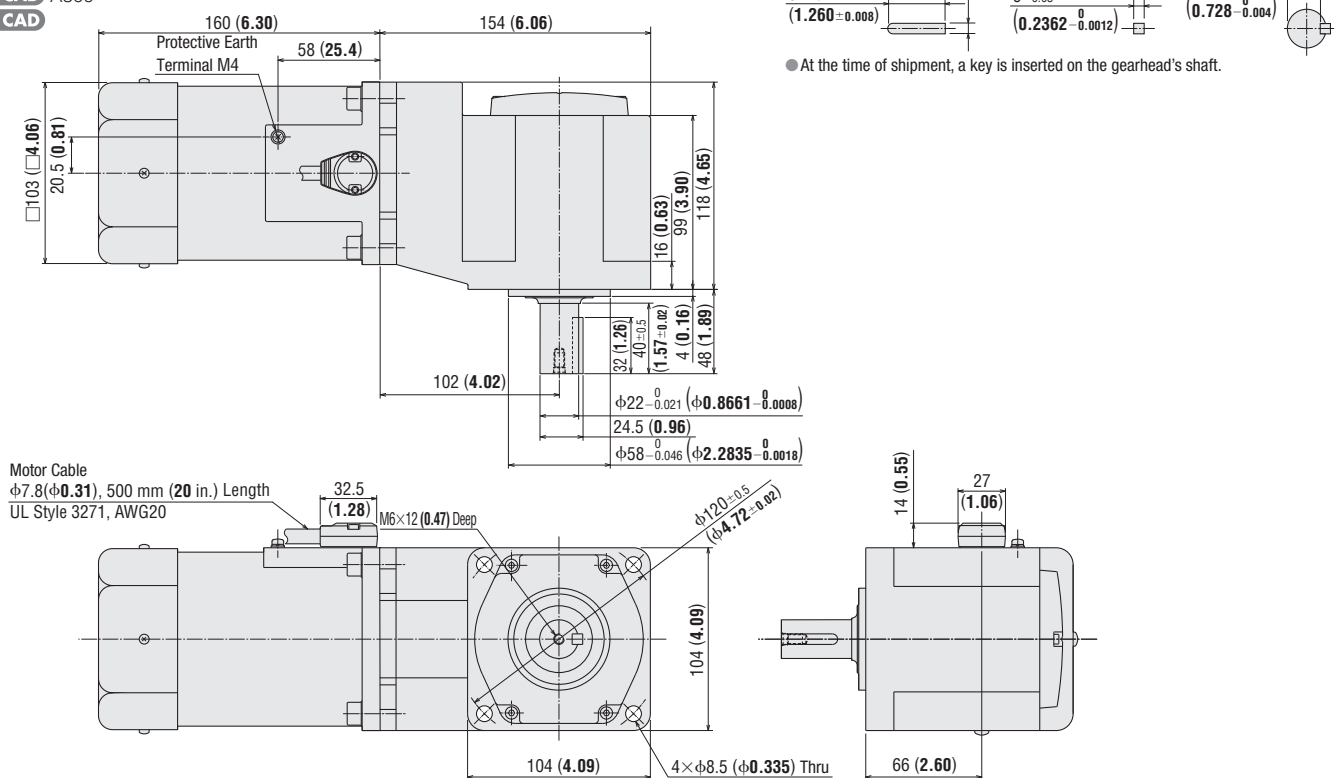
Mass: 10.0 kg (22 lb.)

Motor: BHI62F-G2, BHI62E-G2

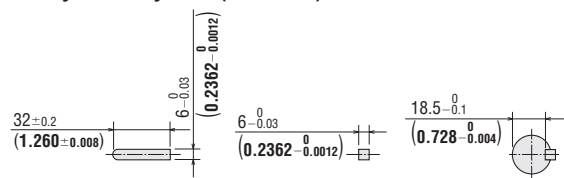
Gearhead: BH6G2-□RA

2D CAD A300

3D CAD



◇ Key and Key Slot (Included)



● At the time of shipment, a key is inserted on the gearhead's shaft.

● A number indicating the gear ratio is entered where the box □ is located within the product name.

◇ Combination Type: Parallel Shaft (Terminal Box Type)

**BHI62FT-□, BHI62ET-□**

Mass: 8.0 kg (18 lb.)

Motor: BHI62FT-G2, BHI62ET-G2

Gearhead: BH6G2-□

**2D CAD** A304

**3D CAD**

6 W  
(1/125 HP)

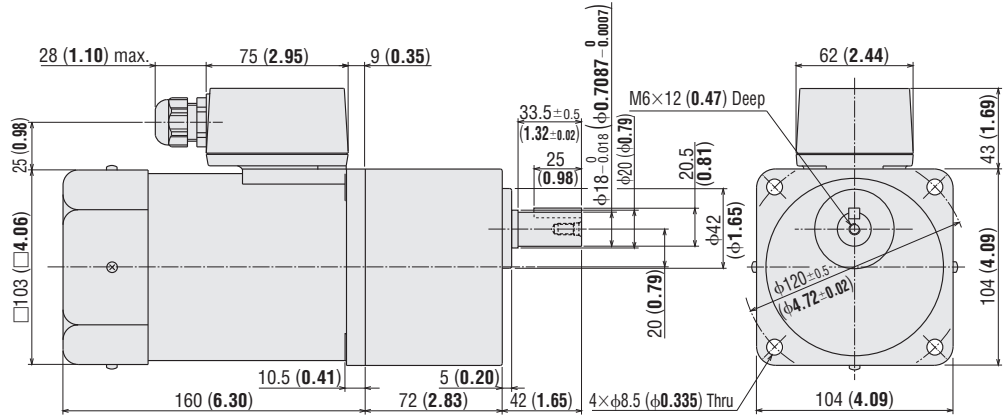
15 W  
(1/50 HP)

25 W  
(1/30 HP)

40 W  
(1/19 HP)

60 W  
(1/12 HP)

90 W  
(1/8 HP)



● Use cable with a diameter of  $\phi 6 \sim \phi 12$  mm ( $\phi 0.24 \sim \phi 0.47$  in.).

● Details of terminal box → Page C-214

**BH Series**  
200 W  
(1/4 HP)

◇ Combination Type: Parallel Shaft (Cable Type)

**BHI62F-□, BHI62E-□**

Mass: 8.0 kg (18 lb.)

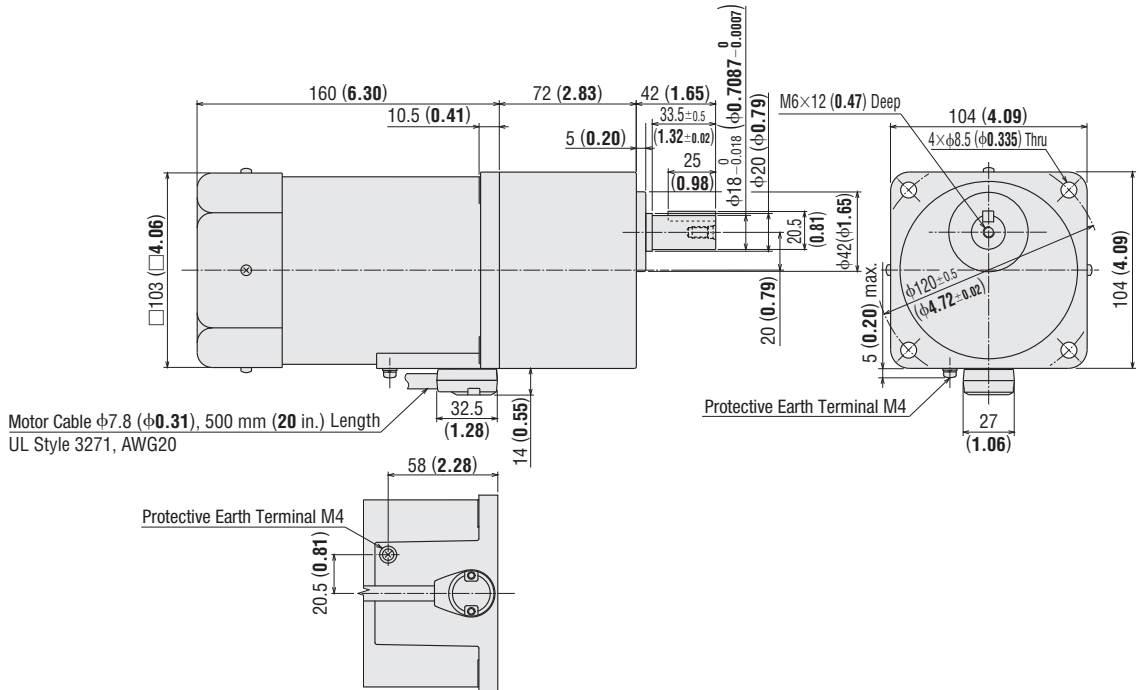
Motor: BHI62F-G2, BHI62E-G2

Gearhead: BH6G2-□

**2D CAD** A303

**3D CAD**

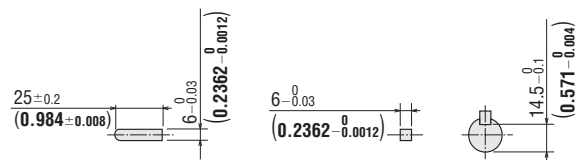
2-Pole  
High-Speed  
40-150 W  
(1/19-1/5 HP)



Motor Cable  $\phi 7.8$  ( $\phi 0.31$ ), 500 mm (20 in.) Length  
UL Style 3271, AWG20

Protective Earth Terminal M4

◇ Key and Key Slot (Included, common as **BHI62**)



● At the time of shipment, a key is inserted on the gearhead's shaft.

● A number indicating the gear ratio is entered where the box □ is located within the product name.

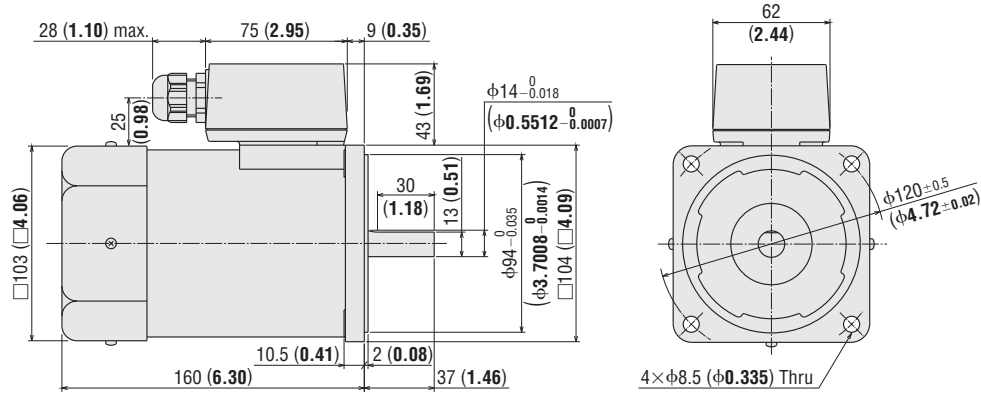
### ◇ Round Shaft Type (Terminal Box Type)

#### BHI62FT-A, BHI62ET-A

Mass: 5.0 kg (11 lb.)

2D CAD A308

3D CAD



- Use cable with a diameter of  $\phi 6 \sim \phi 12$  mm ( $\phi 0.24 \sim \phi 0.47$  in.).
- Details of terminal box → Page C-214

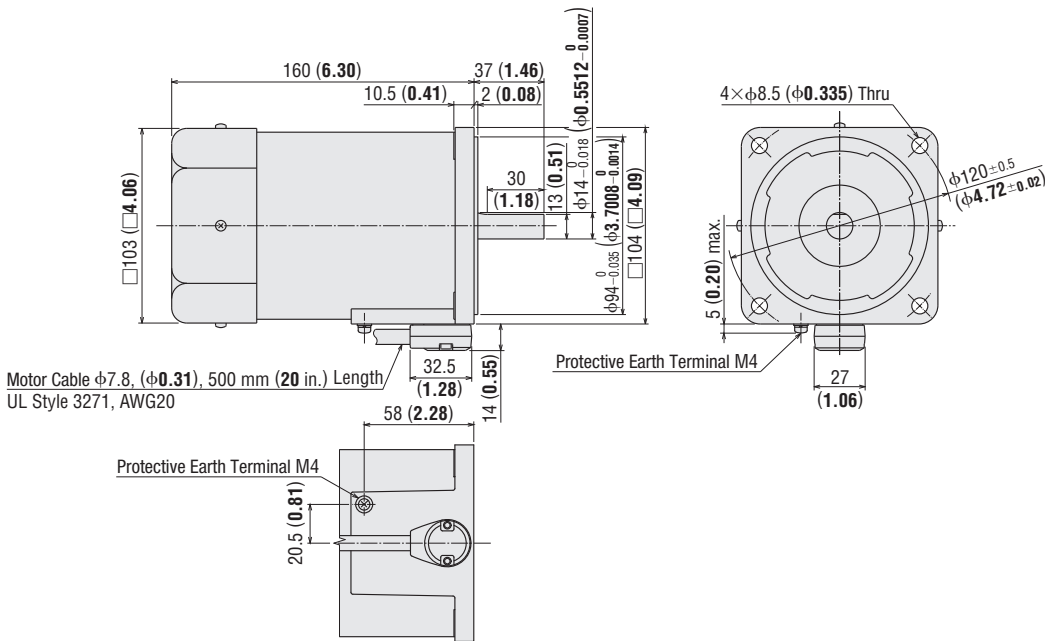
### ◇ Round Shaft Type (Cable Type)

#### BHI62F-A, BHI62E-A

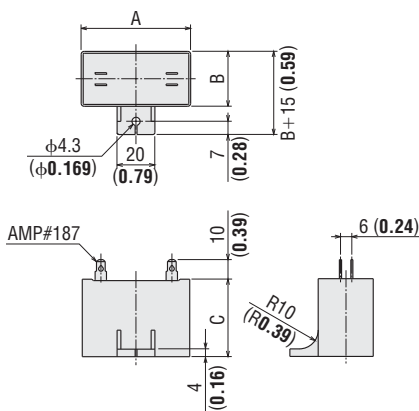
Mass: 5.0 kg (11 lb.)

2D CAD A307

3D CAD



### ◇ Capacitor (Included with single-phase motors)



### ◇ Capacitor Dimensions Unit: mm (in.)

Product Name		Capacitor Product Name	A	B	C	Mass g (oz.)	Capacitor Cap
Terminal Box Type	Cable Type						
BHI62FT-□RH BHI62FT-□RA BHI62FT-□ BHI62FT-A	BHI62F-□RH BHI62F-□RA BHI62F-□ BHI62F-A	CH400CFAUL2	58 (2.28)	41 (1.61)	58 (2.28)	175 (6.2)	Included
BHI62ET-□RH BHI62ET-□RA BHI62ET-□ BHI62ET-A	BHI62E-□RH BHI62E-□RA BHI62E-□ BHI62E-A	CH100BFAUL	58 (2.28)	35 (1.38)	50 (1.97)	132 (4.7)	

● A number indicating the gear ratio is entered where the box □ is located within the product name.

Overview, Product Series

Constant Speed Motors

Three-Phase Induction Motors

Single-Phase Induction Motors

Reversible Motors

Electromagnetic Brake Motors

Clutch & Brake Motors

Low-Speed Synchronous Motors

Torque Motors

Watertight, Dust-Resistant Motors

Right-Angle Gearheads

Linear Heads

Brake Pack

Accessories

Installation

### Connection Diagrams

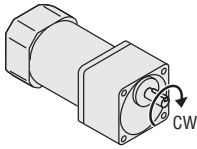
The rotation direction of the motor is indicated when viewed from the output shaft side of the motor. CW is used to indicate clockwise rotation and CCW is used for counterclockwise rotation.

#### Combination Type Parallel Shaft/Round Shaft Type

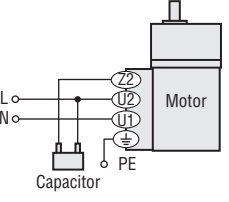
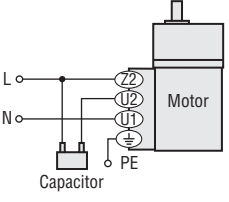
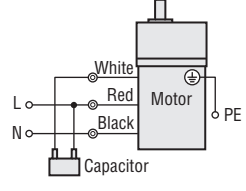
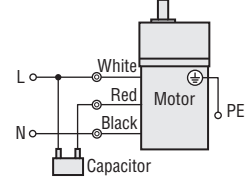
##### ◇ CW Rotation

Product Name	Type and Gear Ratio	
<b>BH162</b>	Gear Ratio: <b>3~9, 50~180</b> Round shaft type	Gear Ratio: <b>12.5~36</b>

Rotation Direction



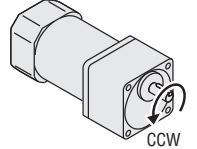
Single-Phase Motor

Terminal Box Type	Cable Type		
			

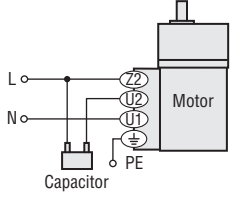
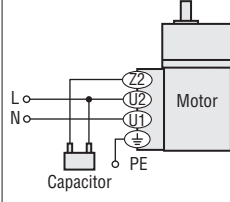
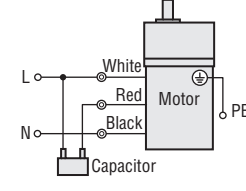
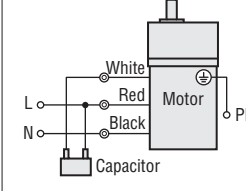
##### ◇ CCW Rotation

Product Name	Type and Gear Ratio	
<b>BH162</b>	Gear Ratio: <b>3~9, 50~180</b> Round shaft type	Gear Ratio: <b>12.5~36</b>

Rotation Direction



Single-Phase Motor

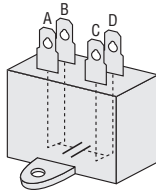
Terminal Box Type	Cable Type		
			

**Note**

- Change the direction of single-phase motor rotation only after bringing the motor to a stop. If an attempt is made to change the direction of rotation while the motor is rotating, the motor may ignore the reversing command or change its direction of rotation after some delay.
- Connect a CR circuit to protect the contact of switches. Connection of CR circuit, contact capacity → Page C-213
- For added safety, provide a breaker or fuse on the power-supply input.

#### How to Connect a Capacitor

The capacitor has 4 terminals: terminal A is connected internally to terminal B, and terminal C is connected internally to terminal D, as shown in the illustration. Electrically, this creates 2 terminals.

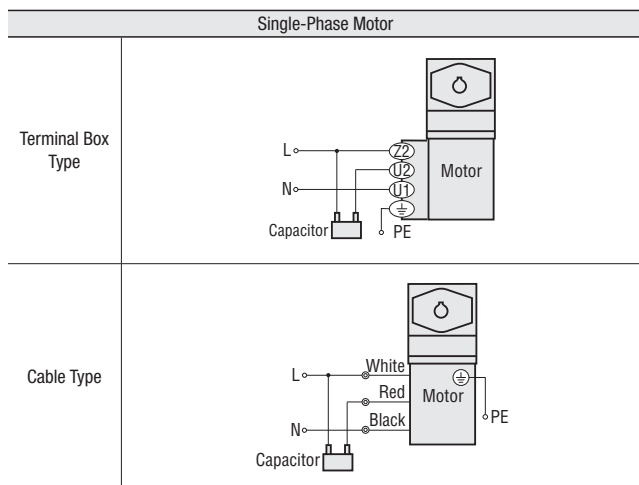
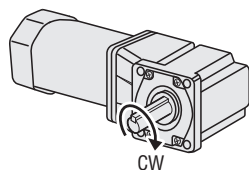


Inner Wiring Diagram for 4-Terminal Capacitor

## ● Combination Type Right-Angle Shaft

### ◇ CW Rotation

Type and Gear Ratio
Solid Shaft Type Gear Ratio: <b>5~180</b>
Hollow Shaft Type* Gear Ratio: <b>5~180</b>



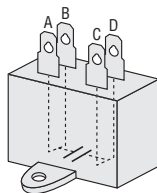
\*The wiring for the hollow shaft type varies according to the direction of the load shaft installation.

**Note**

- Change the direction of single-phase motor rotation only after bringing the motor to a stop.
- If an attempt is made to change the direction of rotation while the motor is rotating, the motor may ignore the reversing command or change its direction of rotation after some delay.
- Connect a CR circuit to protect the contact of switches. Connection of CR circuit, contact capacity → Page C-213
- For added safety, provide a breaker or fuse on the power-supply input.

## ● How to Connect a Capacitor

The capacitor has 4 terminals: terminal A is connected internally to terminal B, and terminal C is connected internally to terminal D, as shown in the illustration. Electrically, this creates 2 terminals.



Inner Wiring Diagram for 4-Terminal Capacitor

## ■ List of Motor and Gearhead Combinations

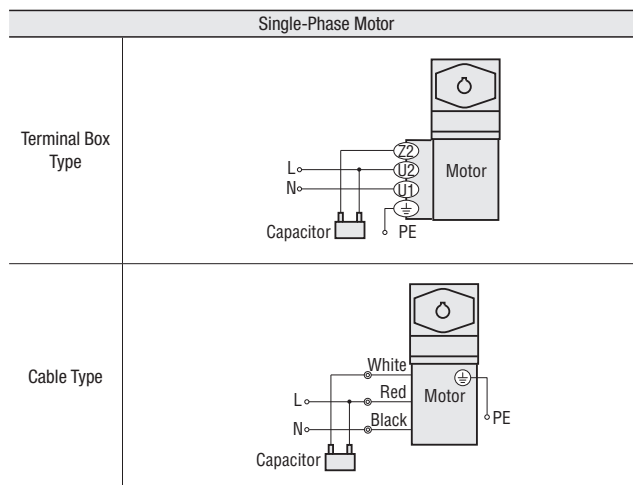
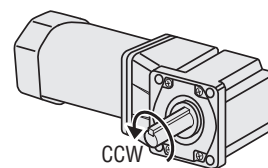
Motor and gearhead combinations are shown below.

### ● Combination Type: Right Angle Shaft

Product Name	Motor Product Name	Gearhead Product Name
<b>BHI62FT-□RH</b>	BHI62FT-G2	BH6G2-□RH
<b>BHI62FT-□RA</b>		BH6G2-□RA
<b>BHI62F-□RH</b>	BHI62F-G2	BH6G2-□RH
<b>BHI62F-□RA</b>		BH6G2-□RA
<b>BHI62ET-□RH</b>	BHI62ET-G2	BH6G2-□RH
<b>BHI62ET-□RA</b>		BH6G2-□RA
<b>BHI62E-□RH</b>	BHI62E-G2	BH6G2-□RH
<b>BHI62E-□RA</b>		BH6G2-□RA

### ◇ CCW Rotation

Type and Gear Ratio
Solid Shaft Type Gear Ratio: <b>5~180</b>
Hollow Shaft Type* Gear Ratio: <b>5~180</b>



- Overview, Product Series
- Constant Speed Induction Motors
- Three-Phase Induction Motors
- Single-Phase Induction Motors
- Reversible Motors
- Electromagnetic Brake Motors
- Clutch & Brake Motors
- Low-Speed Synchronous Motors
- Torque Motors
- Watertight, Dust-Resistant Motors
- Right-Angle Gearheads
- Linear Heads
- Brake Pack
- Accessories
- Installation

### ● Combination Type: Parallel Shaft

Product Name	Motor Product Name	Gearhead Product Name
<b>BHI62FT-□</b>	BHI62FT-G2	BH6G2-□
<b>BHI62F-□</b>	BHI62F-G2	
<b>BHI62ET-□</b>	BHI62ET-G2	
<b>BHI62E-□</b>	BHI62E-G2	

● A number indicating the gear ratio is entered where the box □ is located within the product name.

Induction Motors 2-Pole, High-Speed Type

40 W (1/19 HP), 60 W (1/12 HP), 90 W (1/8 HP), 150 W (1/5 HP)

Frame Size: □80 mm (□3.15 in.), □90 mm (□3.54 in.)

6 W  
(1/125 HP)

15 W  
(1/50 HP)

25 W  
(1/30 HP)

40 W  
(1/19 HP)

60 W  
(1/12 HP)

90 W  
(1/8 HP)

BH Series  
200 W  
(1/4 HP)

2-Pole  
High-Speed  
40-150 W  
(1/19-1/5 HP)



Specifications – Continuous Rating



Product Name	Output Power		Voltage	Frequency	Current	Starting Torque		Rated Torque		Rated Speed	Capacitor	Overheat Protection Device		
	W	HP				mN·m	oz·in	mN·m	oz·in					
<b>4IK40A-BW2U</b>	40	1/19	Single-Phase 110	60	0.68	90	12.7	135	19.1	2900	7.5	TP		
			Single-Phase 115		0.66									
<b>4IK40A-DW3E</b>	36	1/20	Single-Phase 220	50	0.30	90	12.7	145	20	2400	1.8	TP		
				60	0.31			120	17.0	2900				
	40	1/19	Single-Phase 230	50	0.33			160	22	2400				
				60	0.32			135	19.1	2900				
<b>4IK60A-BW2U</b>	60	1/12	Single-Phase 110	60	0.98	160	22	190	26	3000	10	TP		
			Single-Phase 115		0.97									
<b>4IK60A-DW3E</b>	55	1/14	Single-Phase 220	50	0.44	160	22	210	29	2500	2.5	TP		
				60	0.51			180	25	3000				
	60	1/12	Single-Phase 230	50	0.47			230	32	2500				
				60	0.52			190	26	3000				
<b>5IK60A-BW2U</b>	60	1/12	Single-Phase 110	60	0.94	140	19.8	185	26	3200	14	TP		
			Single-Phase 115		0.93									
<b>5IK60A-DW3E</b>	60	1/12	Single-Phase 220	50	0.46	120	17.0	220	31	2650	3.0	TP		
				60				185	26	3200				
			Single-Phase 230	50	0.45			140	19.8	220			31	2650
				60						185			26	3200
<b>5IK90A-BW2U</b>	90	1/8	Single-Phase 110	60	1.61	240	34	280	39	3200	25	TP		
			Single-Phase 115		1.57									
<b>5IK90A-DW3E</b>	90	1/8	Single-Phase 220	50	0.70	240	34	330	46	2650	6.0	TP		
				60	0.84			280	39	3200				
			Single-Phase 230	50	0.69			330	46	2650				
				60	0.84			280	39	3200				
<b>5IK150A-BW2U</b>	150	1/5	Single-Phase 110	60	2.12	380	53	460	65	3200	30	TP		
			Single-Phase 115		2.09									
<b>5IK150A-DW3E</b>	140	1/5	Single-Phase 220	50	0.98	380	53	510	72	2650	8.0	TP		
				60	1.07			420	59	3200				
	150	1/5	Single-Phase 230	50	1.04			560	79	2650				
				60	1.13			460	65	3200				

TP: Contains a built-in thermal protector (automatic return type). If a motor overheats for any reason, the thermal protector is activated and the motor is stopped. When the motor temperature drops, the thermal protector closes and the motor restarts. Be sure to turn the motor power off before inspecting.

## Product Line

### Motor

Output Power	Voltage	Product Name	List Price
40 W (1/19 HP)	Single-Phase 110-115 VAC	<b>4IK40A-BW2U</b>	\$93.00
	Single-Phase 220-230 VAC	<b>4IK40A-DW3E</b>	\$97.00
60 W (1/12 HP)	Single-Phase 110-115 VAC	<b>4IK60A-BW2U</b>	\$116.00
	Single-Phase 220-230 VAC	<b>4IK60A-DW3E</b>	\$122.00
	Single-Phase 110-115 VAC	<b>5IK60A-BW2U</b>	\$112.00
	Single-Phase 220-230 VAC	<b>5IK60A-DW3E</b>	\$116.00
90 W (1/8 HP)	Single-Phase 110-115 VAC	<b>5IK90A-BW2U</b>	\$132.00
	Single-Phase 220-230 VAC	<b>5IK90A-DW3E</b>	\$138.00
150 W (1/5 HP)	Single-Phase 110-115 VAC	<b>5IK150A-BW2U</b>	\$166.00
	Single-Phase 220-230 VAC	<b>5IK150A-DW3E</b>	\$173.00

The following items are included with each product.  
Motor, Capacitor, Capacitor Cap, Operating Manual

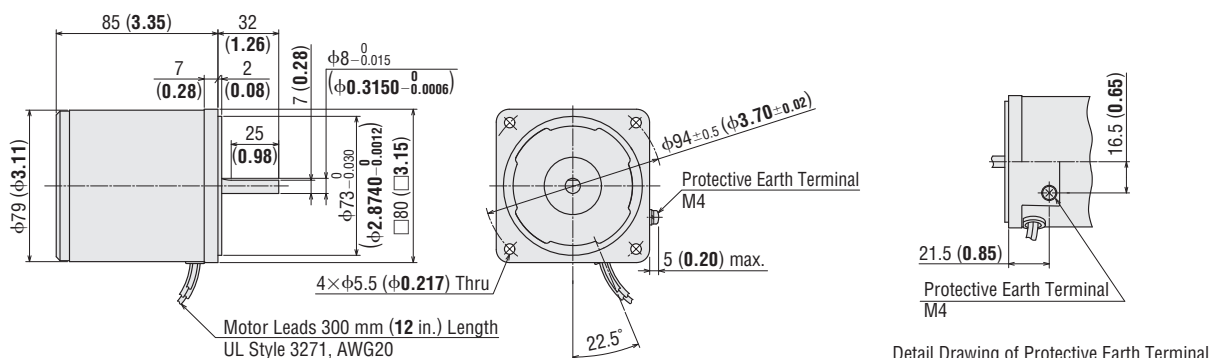
## Dimensions Unit = mm (in.)

### 40 W (1/19 HP)

**4IK40A-BW2U, 4IK40A-DW3E**

Mass: 1.5 kg (3.3 lb.)

**2D CAD** A450

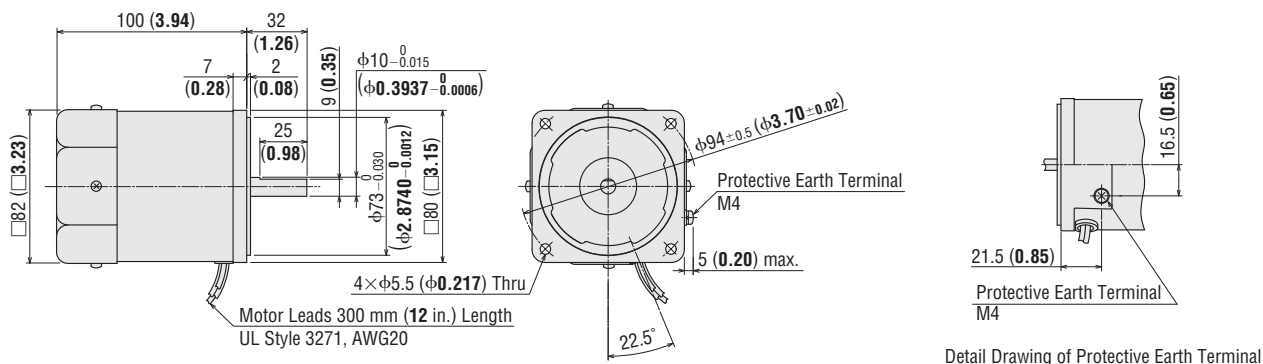


### 60 W (1/12 HP)

**4IK60A-BW2U, 4IK60A-DW3E**

Mass: 1.8 kg (4.0 lb.)

**2D CAD** A513



**5IK60A-BW2U, 5IK60A-DW3E**

Mass: 2.5 kg (5.5 lb.)

**2D CAD** A453

6 W  
(1/125 HP)

15 W  
(1/50 HP)

25 W  
(1/30 HP)

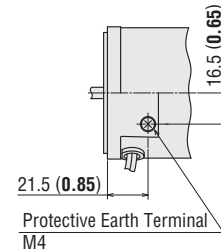
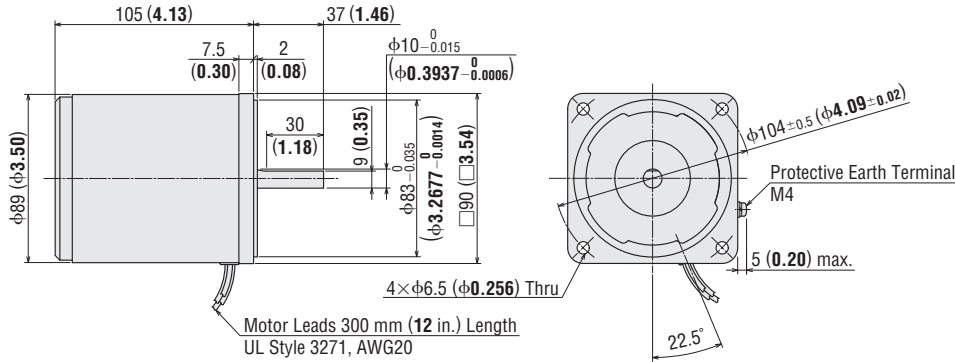
40 W  
(1/19 HP)

60 W  
(1/12 HP)

90 W  
(1/8 HP)

**BH Series**  
200 W  
(1/4 HP)

2-Pole  
High-Speed  
40-150 W  
(1/19-1/5 HP)



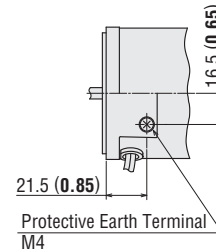
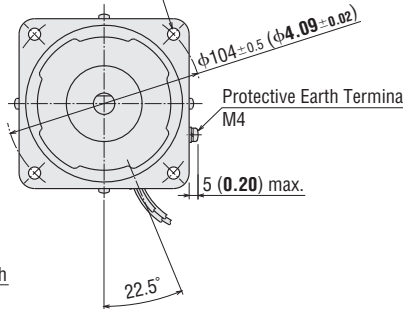
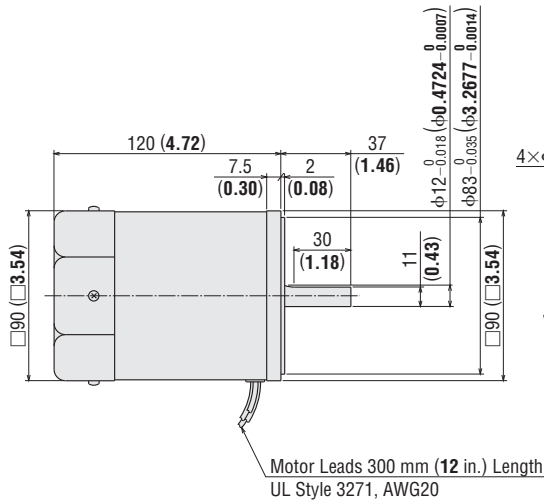
Detail Drawing of Protective Earth Terminal

● 90 W (1/8 HP)

**5IK90A-BW2U, 5IK90A-DW3E**

Mass: 2.7 kg (5.9 lb.)

**2D CAD** A456



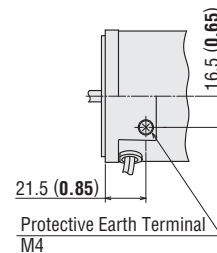
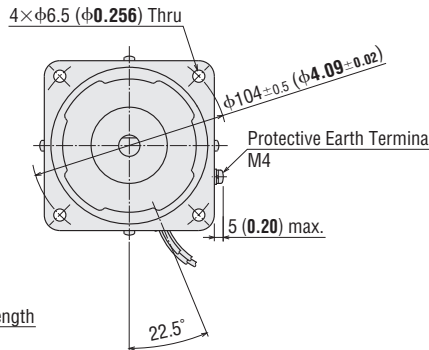
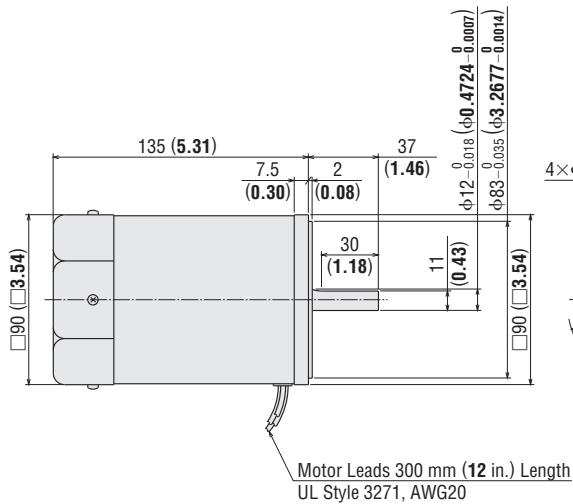
Detail Drawing of Protective Earth Terminal

● 150 W (1/5 HP)

**5IK150A-BW2U, 5IK150A-DW3E**

Mass: 3.2 kg (7.0 lb.)

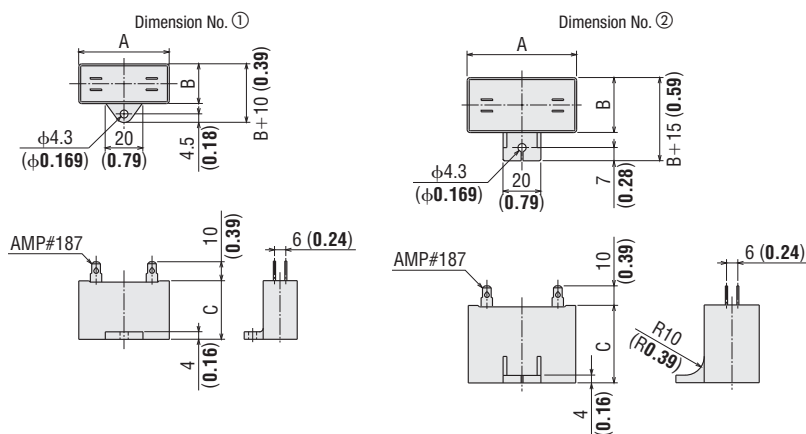
**2D CAD** A459



Detail Drawing of Protective Earth Terminal



● Capacitor (Included with single-phase motors)



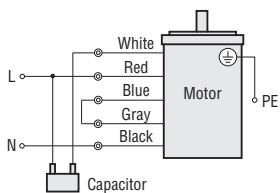
◇ Capacitor Dimensions Unit: mm (in.)

Product Name	Capacitor Product Name	A	B	C	Mass g (oz.)	Dimension No.	Capacitor Cap
4IK40A-BW2U	CH75CFAUL2	48 (1.89)	21 (0.83)	31 (1.22)	41 (1.45)	①	Included
4IK40A-DW3E	CH18BFAUL	38 (1.50)	21 (0.83)	31 (1.22)	37 (1.31)	①	
4IK60A-BW2U	CH100CFAUL2	58 (2.28)	21 (0.83)	31 (1.22)	49 (1.73)	①	
4IK60A-DW3E	CH25BFAUL	48 (1.89)	21 (0.83)	31 (1.22)	42 (1.48)	①	
5IK60A-BW2U	CH140CFAUL2	58 (2.28)	22 (0.87)	35 (1.38)	61 (2.2)	①	
5IK60A-DW3E	CH30BFAUL	58 (2.28)	21 (0.83)	31 (1.22)	50 (1.77)	①	
5IK90A-BW2U	CH250CFAUL2	58 (2.28)	35 (1.38)	50 (1.97)	140 (4.9)	②	
5IK90A-DW3E	CH60BFAUL	58 (2.28)	29 (1.14)	41 (1.61)	92 (3.2)	②	
5IK150A-BW2U	CH300CFAUL2	58 (2.28)	35 (1.38)	50 (1.97)	140 (4.9)	②	
5IK150A-DW3E	CH80BFAUL	58 (2.28)	35 (1.38)	50 (1.97)	136 (4.6)	②	

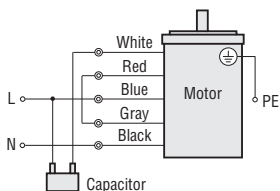
## Connection Diagrams

Single-Phase 110/115 VAC  
Single-Phase 220/230 VAC

**Clockwise**



**Counterclockwise**



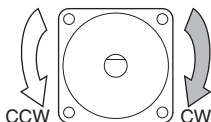
PE: Protective Earth

**Note**

- Change the direction of single-phase motor rotation only after bringing the motor to a stop. If an attempt is made to change the direction of rotation while the motor is rotating, motor may ignore reversing command or change its direction of rotation after some delay.

● **Rotation Direction**

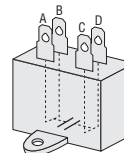
The rotation direction of the motor is indicated when viewed from the output shaft side of the motor. CW is used to indicate clockwise rotation and CCW is used for counterclockwise rotation.



The rotation direction when viewed from the output shaft side of the motor

● **Connection Method for Capacitor with 4 Terminals**

The capacitor has 4 terminals: terminal A is connected internally to terminal B, and terminal C is connected internally to terminal D, as shown in the illustration. Electrically, this creates 2 terminals.



Inner Wiring Diagram for 4-Terminal Capacitor

Overview, Product Series

Constant Speed Induction Motors

Three-Phase Induction Motors

Single-Phase Induction Motors

Reversible Motors

Electromagnetic Brake Motors

Clutch & Brake Motors

Low-Speed Synchronous Motors

Torque Motors

Watertight, Dust-Resistant Motors

Right-Angle Gearheads

Linear Heads

Brake Pack

Accessories

Installation

